



GSA prices effective April 2, 2018
(based on February 6, 2017, commercial price list)
Published August 2018

Workspaces

Canvas Office Landscape® Dock

**General Services Administration
Federal Supply Service
Authorized Federal Supply Schedule Price List**

Online access to contract ordering information, terms and conditions, up-to-date pricing, and the option to create an electronic delivery order is available through GSA Advantage!®, a menu-driven database system. The Internet address for GSA Advantage! is www.gsaadvantage.gov.

Office Furniture
FSC Group 71, Part 1
Contract Number: GS-03F-036DA
Contract Period: December 21, 2015—December 20, 2020

Herman Miller, Inc.
855 East Main Avenue
Zeeland, Michigan 49464
(616) 654 3000 Phone
(616) 654 8278 Fax
www.HermanMiller.com/government

Business Size: Large

Contract Information

1a. Special Item Numbers (SIN)

SIN 71-1

Packaged Offices

SIN 711-1

Furniture Systems

SIN 711-2

Computer Furniture

SIN 711-3

Filing and Storage Cabinets

SIN 711-11

Tables and Accessories

SIN 711-16

Upholstered Seating

SIN 711-18

Multi-Purpose Seating

SIN 711-91

Project Management

Services under this SIN may be used only in conjunction with the purchase of new furniture. Please contact your local Herman Miller representative to discuss the available labor categories (listed below). The hourly rates listed are "Not To Exceed" or "NTE" values.

Furniture Project Manager: \$64.75 per hour

Furniture Project Coordinator: \$49.00 per hour

Build-Out Project Manager: \$80.00 per hour

SIN 711-93

Reconfiguration and Relocation Services

Reconfiguration and Relocation Services will be provided by Herman Miller, Inc., or its participating dealer based on a fee not to exceed \$55 per hour, which applies to services totaling \$150,000 (per SIN) and below only. Services above \$150,000 shall be negotiated on a case-by-case basis. This SIN may only be used with the purchase of new product under SIN 711-1.

See * Additional Notes for Installation & Reconfiguration and Relocation Services.

SIN 711-94

Design/Layout

Design service will be provided by Herman Miller, Inc., or its participating dealer based on a fee not to exceed \$65 per hour.

SIN 711-95

Installation Services

Installation Services will be provided by Herman Miller, Inc., or its participating dealer based on a fee not to exceed \$55 per hour (\$82.50 per hour for after-hours Installation), which applies to services totaling \$150,000 (per SIN) and below only. Services above \$150,000 shall be negotiated on a case-by-case basis.

See * Additional Notes for Installation & Reconfiguration and Relocation Services.

* Additional Notes for Installation & Reconfiguration and Relocation Services:

FOB Destination (Drop Ship): Price includes product delivery to the site, brought to the tailgate of the truck. The purchaser is responsible for unloading.

Prices effective up to the maximum order by SIN only. Above the MO, pricing shall be negotiated on a case-by-case basis between the client and local dealer.

Standard Services are Subject to the Following Conditions:

Installation will be performed during normal weekday working hours.

Adequate facilities for delivery, unloading, moving and staging/ storing the product during the installation process shall be provided.

Service work will not be hindered by other trades.

Electric, heat, and adequate elevator service will be furnished without charge.

The immediate installation area shall be complete and free of debris including the carpet/flooring before installation commences.

Any work requiring a licensed electrician is the responsibility of the buyer.

Additional Charges May Apply For:

Major Metro Markets and any non-ground floor installation.

Major Metro Markets include large population centers and urban environments.

Installation in a clinical/medical environment.

Special restrictions or limits established by local laws, ordinances or the directions of the buyer, including but not limited to restrictions on transportations of materials, street access to the job site and/or dock facilities.

Installations outside of a 50 mile radius of the servicing dealer.

Local Prevailing Wage and/or Union Labor Rates.

Any additional charges shall be quoted by the dealer and approved by the buyer prior to performance of the work.

SIN 711-96

Leasing

Contact Herman Miller participating government dealer for current leasing information.

SIN 711-99

New Product Introductions

Contract Information

continued

1b. Lowest Priced Model

SIN 711-1:	G9999.B	\$7
SIN 711-2:	6-5-D	\$35
SIN 711-3:	9M10018	\$14
SIN 711-11:	DT9A.	\$36
SIN 711-16:	OA401	\$41
SIN 711-18:	AS90598	\$46
SIN 711-99:	R1366	\$27

1c. Not applicable

2. Maximum Order

SIN 711-1, SIN 711-2
\$500,000 net product value

SIN 711-3, SIN 711-11
\$300,000 net product value

SIN 711-16, SIN 711-18
\$200,000 net product value

SIN 711-93
\$150,000

SIN 711-94
\$150,000

SIN 711-95
\$150,000

SIN 711-96
\$500,000 net product value

SIN 711-99
\$50,000 net product value

3. Minimum Order

\$100 net

4. Geographic Coverage

Continental U.S.

Orders for Alaska, Hawaii, and Puerto Rico will be shipped F.O.B. inland carrier point of exportation.

5. Point of Production

Zeeland, Ottawa County, Michigan
Spring Lake, Ottawa County, Michigan

6. Pricing

Prices shown are list. Discounts include Industrial Funding Fee.

SIN 711-1

Product: Selected Action Office 1, Action Office 2, C-Style Overhead Storage, Ethospace System, Quadrant Pedestals, Supplemental Products, Tu Pedestals and Pedastools, and approved Herman Miller Options Products.

Standard Lead Time	Single Order Net Purchase	Discount From list
	\$100 - 250,000	73.8%
	\$250,001 - 500,000	76.8%

SIN 711-1

Product: Selected Renew™ Tables, Renew Link and approved Herman Miller Options Products

Standard Lead Time	Single Order Net Purchase	Discount From List
	\$100 - 500,000	72.8%

SIN 711-1

Product: Selected Motia™ Tables, and approved Herman Miller Options Products

Standard Lead Time	Single Order Net Purchase	Discount From List
	\$100 - 500,000	73.8%

SIN 711-1

Product: Tu Wood Pedestals and approved Herman Miller Options Products

Standard Lead Time	Single Order Net Purchase	Discount From List
	\$100 - 300,000	74.3%

SIN 711-1

Product: Selected Canvas Office Landscape and approved Herman Miller Options Products

Standard Lead Time	Single Order Net Purchase	Discount From List
	\$100 - 500,000	74.8%

SIN 711-1

Product: Selected Layout Studio® and approved Herman Miller Options Products

Standard Lead Time	Single Order Net Purchase	Discount From List
	\$100 - 500,000	60.7%

SIN 711-1

Product: Selected Meridian Pedestals, Meridian Pedastools, and approved Herman Miller Options Products

Standard Lead Time	Single Order Net Purchase	Discount From List
	\$100 - 500,000	64.2%

Contract Information

continued

SIN 711-1

Product: Selected Thrive Portfolio and approved Herman Miller Options Products

Standard Lead Time	Single Order Net Purchase	Discount From List
	\$100 - 250,000	62%
	\$250,001 - 500,000	66.4%

SIN 711-2

Product: Passage Desking System and approved Herman Miller Options Products

Standard Lead Time	Single Order Net Purchase	Discount From List
	\$100 - 500,000	56.7%

SIN 711-2

Product: 5000 Series Furniture and approved Herman Miller Options Products

Standard Lead Time	Single Order Net Purchase	Discount From List
	\$100 - 500,000	58.7%

SIN 711-3

Product: Meridian Laterals, Verticals, Towers, and Storage products and approved Herman Miller Options Products

Standard Lead Time	Single Order Net Purchase	Discount From List Laterals	Verticals	Towers & Storage
	\$100 - 300,000	67.3%	66.3%	62.7%

SIN 711-3

Product: Tu Lateral Files, Tu Storage, Tu Towers, Tu Wood Cases, Tu Wood Cubbies, Tu Wood Credenzas, Tu Wood Towers, and approved Herman Miller Options Products

Standard Lead Time	Single Order Net Purchase	Discount From List
	\$100 - 300,000	74.3%

SIN 711-11

Product: Selected Tables and Accessories and approved Herman Miller Options Products

Standard Lead Time	Single Order Net Purchase	Discount From List
Avive® Tables	\$100 - 250,000	72.8%
	\$250,001 - 500,000	74.8%
Herman Miller Eames® Tables	\$100 - 250,000	73.6%
	\$250,001 - 300,000	77.6%
Everywhere™ Tables	\$100 - 300,000	72.8%

SIN 711-16

Product: Swoop upholstered seating products and approved Herman Miller Options Products

Standard Lead Time	Single Order Net Purchase	Discount From List
Swoop™	\$100 - 200,000	60.7%

SIN 711-18

Product: Selected Seating and approved Herman Miller Options Products

Standard Lead Time	Single Order Net Purchase	Discount From List
Aeron® (Classic and New)	\$100 - 200,000	64.5%
Aside®	\$100 - 200,000	64.2%
Caper®	\$100 - 200,000	61.5%
Celle®	\$100 - 200,000	59.7%
Embody®	\$100 - 200,000	59.7%
Equa 2®	\$100 - 200,000	65.8%
Ergon 3®	\$100 - 200,000	68.8%
Keyn	\$100 - 200,000	57.7%
Mirra® 2	\$100 - 200,000	61.7%
Setu®	\$100 - 200,000	59.7%
Sayl®	\$100 - 200,000	62.2%
Verus™	\$100 - 200,000	63.7%

SIN 711-99

Product: Selected Exclave™, Locale®, Public Office Landscape®, Resolve® System, and approved Herman Miller Options Products

Standard Lead Time	Single Order Net Purchase	Discount From List
Exclave	\$100 - 50,000	61.7%
Locale	\$100 - 50,000	63.7%
Public Office Landscape	\$100 - 50,000	61.7%
Resolve System	\$100 - 50,000	69.8%
Intent Solution	\$100 - 50,000	58.7%

7. Quantity Discounts

Reference item #6.

8. Payment Term

Net 30 days

9. Government Commercial Credit Card

- Government commercial credit cards are accepted below the micropurchase threshold.
- Government commercial credit cards are accepted above the micropurchase threshold.

10. Foreign Items

None

11. Time of Delivery

- 90 day ARO
- Expedited delivery: Items listed in the 10-Day section of the catalogs are available for expedited delivery.
- Overnight/2-day delivery: Select items may be available for overnight or 2-day delivery. Contact Herman Miller or a participating dealer for availability and rates.
- Urgent requirements: Agencies may contact contractor or participating dealer to request faster delivery.

Contract Information

continued

12. F.O.B.

F.O.B. destination except Alaska, Hawaii, and Puerto Rico, which will be shipped F.O.B. inland carrier point of exportation.

13. Ordering Address

- a. Herman Miller, Inc.,
Government Customer Care 0161
855 East Main Avenue
Zeeland MI 49464.
- b. For supplies and services, the ordering procedures information on Blanket Purchase Agreements (BPA's) and a sample BPA can be found at the GSA/FSS Schedule homepage (www.fss.gsa.gov/schedules).

14. Payment Address.

Herman Miller, Inc.
22764 Network Place
Chicago, IL 60673-1227

15. Warranty

Herman Miller, Inc., commercial warranty applies.

16. Export Packing Charge

Prices supplied on request.

17. Terms and Conditions of Government Purchase Card Acceptance

(any thresholds above the micropurchase level)
None.

18. Rental Maintenance and Repair Terms

Not applicable

19. Terms and Conditions of Installation

Installation Services will be provided by Herman Miller, Inc., or its participating dealer based on a fee not to exceed \$55 per hour (\$82.50 per hour for after-hours Installation), which applies to services totaling \$150,000 (per SIN) and below only. Services above \$150,000 shall be negotiated on a case-by-case basis.

Additional Notes for Installation & Reconfiguration and Relocation Services:

FOB Destination (Drop Ship): Price includes product delivery to the site, brought to the tailgate of the truck. The purchaser is responsible for unloading.

Prices effective up to the maximum order by SIN only. Above the MO, pricing shall be negotiated on a case-by-case basis between the client and local dealer.

Standard Services are Subject to the Following Conditions:

Installation will be performed during normal weekday working hours.

Adequate facilities for delivery, unloading, moving and staging/storing the product during the installation process shall be provided.

Service work will not be hindered by other trades.

Electric, heat, and adequate elevator service will be furnished without charge.

The immediate installation area shall be complete and free of debris including the carpet/flooring before installation commences.

Any work requiring a licensed electrician is the responsibility of the buyer.

Additional Charges May Apply For:

Major Metro Markets and any non-ground floor installation.

Major Metro Markets include large population centers and urban environments.

Installation in a clinical/medical environment.

Special restrictions or limits established by local laws, ordinances or the directions of the buyer, including but not limited to restrictions on transportations of materials, street access to the job site and/or dock facilities.

Installations outside of a 50 mile radius of the servicing dealer.

Local Prevailing Wage and/or Union Labor Rates.

Any additional charges shall be quoted by the dealer and approved by the buyer prior to performance of the work.

20. Terms and Conditions of Repair Parts

Not applicable

21. Service and Distribution Points

For service and distribution points nearest you, call (800) 851 1196.

22. Participating Dealers

Access Herman Miller web site for current list of participating dealers: www.HermanMiller.com/government.

23. Preventive Maintenance

Not applicable

24a. Special Attributes.

2018

For the 11th consecutive year, Herman Miller received a perfect score on the Corporate Equality Index and we were designated as Best Place to Work for LGBT equality. This report evaluates U.S. companies in terms of diversity, particularly their LGBT-related policies and practices.

Contract Information

continued

2017

Herman Miller was named the 2017 “Corporation of the Year” in the consumer products sector by the Michigan Minority Supplier Development Council (MMSDC).

Herman Miller has received a 2017 SEAL (Sustainability, Environmental Achievement and Leadership) Business Sustainability Award.

Herman Miller has earned the 4 Star Diversity Visionary Award. This award celebrates the diversity, equality, and inclusion work of Herman Miller. The award is presented at the annual Diversity Equity Inclusion Summit, held by the Grand Rapids Area Chamber of Commerce.

Herman Miller named one of the Best and Brightest in Wellness for the fifth year in a row.

Working Mother magazine has recognized Herman Miller as one of the 2017 Working Mother 100 Best Companies.

Herman Miller earned our tenth consecutive perfect score in Human Rights Campaign (HRC) Foundation’s 2017 Corporate Equality Index.

As one of the top-scoring companies in our industry for the thirteenth consecutive year, Herman Miller has qualified for inclusion in RobecoSAM’s 2017 Sustainability Yearbook and received the Bronze Class distinction for our excellent economic, environmental, and social sustainability performance.

Herman Miller has once again earned the WorldatWork Seal of Distinction, a unique standard of excellence in work-life effectiveness that shows we provide a distinct, mutually beneficial workplace experience.

2016

Herman Miller was recognized as the Business of the Year at the Annual Meeting of the West Michigan Environmental Action Council (WMEAC). This award goes to the business with the greatest depth and breadth of support, unwavering dedication to environmental action in West Michigan, and a strong corporate commitment to environmental advocacy.

The 101 Best and Brightest Sustainable Companies once again (fifth consecutive year) recognized Herman Miller as an organization in Michigan (and for the first time, in the nation) that exhibits leadership and innovation in its approach to sustainability.

Herman Miller has been recognized by the Michigan Minority Supplier Development Council (MMSDC), as a “Corporation of the Year”, and we also received a “2016 Excellence in Supplier Diversity Award” from the Great Lakes Women’s Business Council. Additionally, we are the only West Michigan company this year to receive an “Ambassadors Championing Excellence” Award from the MMSDC.

Plex Lounge Furniture from Herman Miller receives #MetropolisLikes award at NeoCon 2016.

Plex Lounge Furniture from Herman Miller receives Interior Design HiP Award for Workplace Seating/Lounge at NeoCon 2016.

Spot Stools from Herman Miller Collection receive Interior Design HiP Award for Hospitality Seating at NeoCon 2016.

Herman Miller has been named a 2020 Women on Boards Winning Company. Companies selected for this recognition are considered champions of board diversity as 20 percent or more of their board seats are occupied by women.

Herman Miller selected for inclusion in the 2016 RobecoSAM Sustainability Yearbook for twelfth consecutive year.

Herman Miller again earns the WorldatWork Work-Life 2016 Seal of Distinction. This award identifies organizations that focus on programs that promote work-life balance and overall well-being.

2015

Herman Miller earns ninth consecutive perfect score in Human Rights Campaign (HRC) Foundation’s 2016 Corporate Equality Index and we were designated as Best Place to Work for LGBT equality.

This is the fourth consecutive year that Herman Miller was named one of Michigan’s Best and Brightest Sustainable Companies.

Herman Miller has received the Best and Brightest in Wellness Award for the third year in a row. This program is an innovative initiative that recognizes and celebrates quality and excellence in health awareness.

Herman Miller received the Forest Stewardship Council (FSC) Leadership Award for longstanding commitment to manufacturing with wood sourced from responsibly managed forests, which reduces environmental impacts by protecting against deforestation and forest degradation.

Herman Miller accepted its second Excellence in Reusable Packaging Award from the Reusable Packaging Association.

Herman Miller has once again been recognized for its commitment to best-in-class economic, environmental, and societal sustainability, earning a spot on the prestigious Dow Jones Sustainability Index (DJSI) for the twelfth consecutive year. We are the only contract furniture company recognized globally for its corporate sustainability leadership.

Herman Miller selected for inclusion in the 2015 RobecoSAM Sustainability Yearbook; awarded Bronze Class distinction for excellent sustainability performance for the second consecutive year.

Contract Information

continued

Herman Miller received a Michigan Business Pollution Prevention (MBP₃) Certificate – a recognition given by the Michigan Department of Environmental Quality (MDEQ) to organizations committed to environmental stewardship, conservation, and sustainable operations. This basic partnership with the MDEQ, which we've maintained since 1998, makes us eligible for our Clean Corporate Citizen (CCC) status that began in 2004 and our Environmental Leader status, which we received for the first time this past year.

MedAssets named Herman Miller Healthcare as Platinum Suppliers. MedAssets, a large group purchasing organization, helps providers enhance operational and financial performance so they can sustainably serve the needs of their community.

Herman Miller honored with five of 20 spots for the Michigan Environmental Leaders Award by the Michigan Department of Environmental Quality for our outstanding, voluntary environmental stewardship.

Renew Sit-to-Stand tables recognized on Record Products 2014 list by Architectural Record.

Herman Miller was again awarded a perfect score in the 2015 Corporate Equality Index. This is the eighth consecutive year we received a perfect score.

2014

Herman Miller has received the Best and Brightest in Wellness Award for the second year in a row. This program is an innovative initiative that recognizes and celebrates quality and excellence in health awareness.

Herman Miller's Locale wins International Design Excellence Awards (IDEA) Gold in the Office & Productivity category.

Herman Miller achieves eleventh consecutive listing on Dow Jones Sustainability World Index, an international stock portfolio that evaluates the annual performance of the world's largest 2500 companies using economic, environmental, and social criteria, known as the "triple bottom line" of sustainability.

2013

Herman Miller achieves tenth consecutive listing on Dow Jones Sustainability World Index.

Herman Miller has received the Best and Brightest in Wellness Award. This program is an innovative initiative that recognizes and celebrates quality and excellence in health awareness.

Herman Miller Earns Perfect Score on the Corporate Equality Index. We are one of only 303 major U.S. businesses to receive a perfect score in 2013, an achievement we have now obtained seven years in a row.

Herman Miller is listed in Forbes Magazine inaugural "Platinum List" of America's 400 best managed, large companies.

For the second consecutive year, Herman Miller is honored as one of West Michigan's "101 Best and Brightest Sustainable Companies".

2012

Herman Miller accepted its first Excellence in Reusable Packaging Award from the Reusable Packaging Association.

Herman Miller is named "Corporation of the Year" in the commercial products sector by the Michigan Minority Supplier Development Council.

In July 2012 Herman Miller was inducted into the Made in the USA Hall of Fame. Herman Miller is one of only 20 companies across the nation to receive this distinction.

Herman Miller achieves ninth consecutive listing on Dow Jones Sustainability World Index.

Herman Miller is honored as one of West Michigan's 101 Best and Brightest Sustainable Companies.

The Sustainable Asset Management (SAM) group selected Herman Miller for inclusion in "The Sustainability Yearbook 2012" and has awarded Herman Miller both the "SAM Sector Leader" and "SAM Sector Mover" distinctions.

Herman Miller was named one of 16 Section Leaders on Climate Counts 2011-2012 Scorecard Report, making us the industry leader for Home and office Furnishings.

SGS International Certification Services, Inc., recognizes Herman Miller's manufacturing sites, Midwest Distribution Center, and Design Yard for initial certification to the OHSAS 18001 standard as well as re-certification to ISO 14001.

2011

Trust Across America, a company dedicated to unraveling the complexities of trustworthy business behavior, listed Herman Miller as one of their "Top Ten Most Trustworthy Companies in America 2011."

The U.S. Environmental Protection Agency (EPA) selected Herman Miller, as a WasteWise Gold Achievement—Climate Change winner.

Herman Miller achieves eighth consecutive listing on Dow Jones Sustainability World Index, an international stock portfolio that evaluates the annual performance of the world's largest 2500 companies using economic, environmental, and social criteria, known as the "triple bottom line" of sustainability.

The Michigan Minority Supplier Development Council (MMSDC) named Herman Miller as its "Corporation of the Year" in the commercial products sector. This was the fifth time Herman Miller has received this award since 2005.

Contract Information

continued

Herman Miller accepted its third Neighborhood Environmental Partners (NEP) award from the Michigan Department of Natural Resources and Environment.

Herman Miller receives the Reader's Choice award from TreeHugger's Best of Green: Design and Architecture category for the SAYL chair.

Herman Miller earns Citibank's Global Environmental Vendor of the Year award.

The SAYL chair from Herman Miller was dubbed the "Product Design of the Year" from the 2010 International Design Awards (IDA) jury.

Herman Miller Healthcare's Compass system was awarded a 2011 Medical Design Excellence Award (MDEA) for its research-based design and ability to be used in a variety of healing spaces, while simultaneously improving the overall delivery of healthcare.

The Sustainable Asset Management (SAM) Group selected Herman Miller for inclusion in the "Sustainability Yearbook 2011" and awarded us both the "SAM Sector Leader" and "SAM Sector Mover" distinctions.

Herman Miller has received the top rating for a fourth consecutive year in the Human Rights Campaign (HRC) Foundation's eighth annual Corporate Equality Index. The "Best Places to Work for LGBT Equality" distinction is awarded to businesses that scored 100% on the HRC Foundation's 2011 Corporate Equality Index.

Herman Miller again tops contract furniture industry in FORTUNE's "Most Admired" Companies survey. For the 23rd time in 25 years.

2010

The NASDAQ OMX CRD Global Sustainability Index (QCRD) has included Herman Miller among their top 100 companies in the world.

Herman Miller achieves seventh consecutive listing on Dow Jones Sustainability World Index, an international stock portfolio that evaluates the annual performance of the world's largest 2500 companies using economic, environmental, and social criteria, known as the "triple bottom line" of sustainability. Herman Miller is one of approximately 300 companies worldwide and the only contract office furniture manufacturer, selected for this index.

Herman Miller has been recognized by Fast Company magazine as one of its 2010 Most Innovative Companies and among the more select Innovation All-Stars.

The U.S. Environmental Protection Agency's Office of Resource Conservation and Recovery has selected Herman Miller to receive the 2010 WasteWise Gold Achievement Award for Green Purchasing.

The Michigan Department of Natural Resources and Environment (MDNRE) has recognized Herman Miller's West Michigan manufacturing sites and Midwest Distribution Center as continuing Clean Corporate Citizens.

Herman Miller makes the U.S. Environmental Protection Agency's (EPA) list of the top fifty users of renewable electricity, of more than 1,200 organizations participating in the Green Power Partnership. This is the second consecutive time Herman Miller was recognized. Herman Miller was the only furniture manufacturer on the list.

Herman Miller accepted its second Neighborhood Environmental Partners (NEP) award from the Michigan Department of Natural Resources and Environment.

For the 22nd time in 24 years, Herman Miller was awarded the No. 1 industry ranking in a survey among the executives and board members of peer companies and independent industry analysts, as published in FORTUNE magazine's annual "Most Admired" companies feature.

The Michigan Department of Environmental Quality (MDEQ) recognizes Herman Miller's GreenHouse as one of Michigan's top environmental performers with a Clean Corporate Citizen (C3) longevity award. This recognizes that the GreenHouse has maintained its C3 designation for the past five years.

For the third year in a row, Herman Miller makes FORTUNE magazine's "100 Best Companies to Work For" list. Herman Miller is one of only three Michigan-based companies to make the list.

24b. Section 508 Compliance

Not applicable

25. Data Universal Numbering System (DUNS): 00-601-2801

26. Registered in System for Award Management (www.SAM.gov) Database

27. Cancellation

Prior to production, no cancellation charge will apply. After production, only actual cost incurred that the contractor can demonstrate if items are sold after 3 months.

28. Restocking Charges

Agencies must notify the contractor for authorization prior to returning any items. The customer agency will be required to pay all packaging and return freight charges. A restocking fee of 50% for Systems Furniture and 35% for all other product lines will be charged for any returned items.

Herman Miller Miscellaneous Information:

Federal ID Number: 38-0837640

Commercial and Government Entity Code (CAGE): 40636

Data Universal Numbering System (DUNS) 00-601-2801

Commercial Entity Code (CEC): 00702290J

Introduction	page 2
Canvas Office Landscape® Dock	3
Infrastructure	5
Energy Distribution	19
Work Surfaces	36
Storage	75
Screens	82
Indices	101
By Name	101
By Number	103
Appendices	
20-Day or Less/Assigned Lead-Time Order Information	
Proprietary Textiles Application Chart-Workspaces	
Proprietary Textile Colors-Workspaces	
For the latest materials information, refer to the Materials pages on HermanMiller.com.	

Introduction

A Note on the Organization of This Book

There are a few signals that will help you understand the organization of this book. Once you know them, you should be able to find your way around easily.

Like a newspaper, this book is formatted with columns of text and illustrations that run vertically.

Information wraps from one column to the next and continues for as many pages as it needs to.

Black bars are clues.

A black bar at the top of a page signals the start of information about a product.

This information is divided into two sections, each signaled by a black bar. Product Information includes a description, additional notes, and dimensional drawings. Specification Information, which always begins at the top of a column, includes a series of steps. Each step represents a decision you need to make in order to complete your product number. Steps must be followed sequentially. The number of pages needed to complete information on a product varies; some will be complete in one page; others may fill three or four pages. Just continue going through the steps until you run into the next product, signaled by the black bar at the top of the page.

Black tabs running along the outside edge of the page help you locate what section you are in or what section you want to go to. You can thumb forwards or backwards to find a section; tabs and text appear on both sides of the page.

The additional pages in the back of the book include the appendices and indices. They are signaled by a long black bar running along the outside edge of the page.

The index is presented two ways.

The first index is in alphabetical order by product name. It can be helpful if you are new to the products and numbering scheme or if you are looking for a type of product, such as work chair or round table.

The second index is by product number. It lists, in alphanumeric order, the base product number, typically a five-digit number.

This book is effective April 2, 2018, subject to change without notice. Products may be purchased from authorized Herman Miller dealers who will quote prices upon request. For more information about our products and services or to see a list of dealers, visit www.HermanMiller.com.


All prices are list prices in US Dollars. Additional services, such as planning services, design, storage, and installation, are not included and must be added to these prices when the additional services are requested.


Illustrations, specifications, and prices are based on the latest information at the time of publication. The right is reserved to make changes at any time without notice in prices, fabrics, finishes, materials, specifications, and models, and also to discontinue models and finishes.

Dimensions shown in the drawings are engineering drawing dimensions rounded up to the nearest $\frac{1}{8}$ ". Product is shipped set up or knocked down. Products that include "Shipped knocked down" in the description require some assembly. If this statement does not appear in the description, the product is shipped assembled.

Service problems are normally handled by a Herman Miller authorized dealer. Where this cannot be accomplished on a local level, service problems should be referred to the Customer Care Representative for your region, Herman Miller, Inc., Zeeland, Michigan 49464.

20-Day or Less/Assigned Lead-Time Shipments

All products and options in this price book not designated by an Assigned Program icon  will ship in **20 business days or less** after being acknowledged by Herman Miller.

Products and options designated by an  are on the assigned lead-time program and may ship in 20 days, less than 20 days, or more than 20 days from order acknowledgement.

Infrastructure

Energy Distribution

Work Surfaces

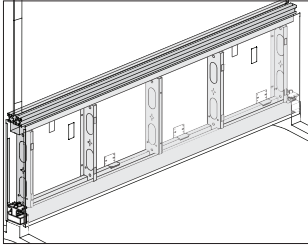
Storage

Screens



Dock Structure

FD110.



Product Information

Description

This structural steel wall defines space and channels power and data to the user. Includes 18 1/8"-high frame and top rail. Top rail finish is clear anodized aluminum.

Notes

When finished with cladding, dock structure is 3" thick.

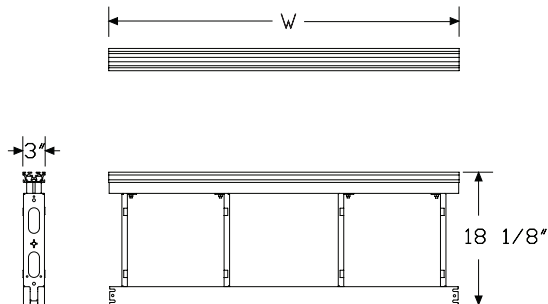
Dock is raised 4" from the floor.

Power can enter from bottom opening using floor power entry (FD144.) or from end of dock with ceiling power entry (FD142.), ordered separately.

Order the following products separately:

- Lower cladding (FD170.)
- Dock foot (FD117.)
- Dock foot, structural (FD119.)
- Dock-to-dock connector (FD128.)
- Dock power harness (FD151.)
- Finished end, architectural, dock (FD16A.)

Dimensions



Specification Information

Step 1.

FD110. A

Step 2. Width

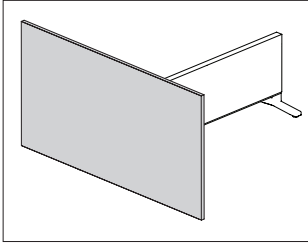
42	42" wide	<input type="checkbox"/> A
48	48" wide	<input type="checkbox"/> A
60	60" wide	<input type="checkbox"/> A
72	72" wide	<input type="checkbox"/> A
84	84" wide	<input type="checkbox"/> A
96	96" wide	<input type="checkbox"/> A

Prices for Steps 1-2.

FD110. 42	\$578
48	\$630
60	\$709
72	\$788
84	\$867
96	\$945

Step 3. Top Rail Finish

AN clear anodized aluminum A +\$0



Product Information

Description

This structural panel stands on the floor and attaches to a dock to provide end of run support and privacy. It is 1 1/4" thick and has a laminate surface with thermoplastic edge, laminate surface with a thermoplastic backed plywood edge, or veneer surface and edge. Leveling glides and attachment hardware included.

Notes

Gallery panels 24"-72" wide are a single panel construction; 84"-144" wide are a 3 panel construction.

Attachment direction is determined by facing the gallery panel from outside the workstation. Left attachment (L) connects the left side of a gallery panel to the end of a dock. Right attachment (R) connects the right side of a gallery panel to the end of a dock. Mid attachment (M) connects the middle of a gallery panel to the end of a dock.

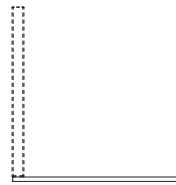
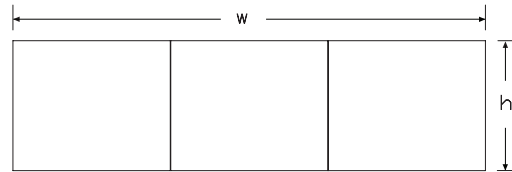
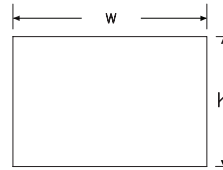
Mid-attached gallery panels are 3" wider than nominal dimensions.

Gallery panels 72" wide and wider require attachment to adjacent surfaces; hardware is included.

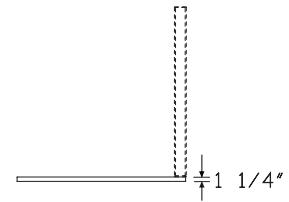
Leveling glides provide 2" of adjustment.

Grain direction is vertical on veneer and wood-grain laminate panel.

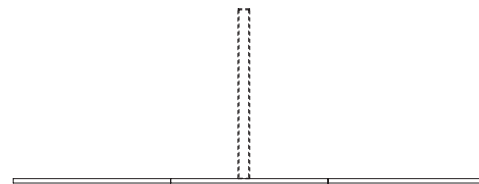
Dimensions



Left Attachment



Right Attachment



Mid Attachment

Gallery Panel, Dock Attached

continued

Specification Information

Step 1.

FD113.

Step 2. Height

22	22" high	<input type="checkbox"/>
29	29" high	<input type="checkbox"/>
42	42" high	<input type="checkbox"/>
46	46" high	<input type="checkbox"/>

Step 3. Width

For 22" high (22)

24	24" wide	<input type="checkbox"/>
30	30" wide	<input type="checkbox"/>
36	36" wide	<input type="checkbox"/>
42	42" wide	<input type="checkbox"/>
48	48" wide	<input type="checkbox"/>
60	60" wide	<input type="checkbox"/>
72	72" wide	<input type="checkbox"/>

For 29" high (29), 42" high (42), or 46" high (46)

24	24" wide	<input type="checkbox"/>
30	30" wide	<input type="checkbox"/>
36	36" wide	<input type="checkbox"/>
42	42" wide	<input type="checkbox"/>
48	48" wide	<input type="checkbox"/>
60	60" wide	<input type="checkbox"/>
72	72" wide	<input type="checkbox"/>
84	84" wide	<input type="checkbox"/>
96	96" wide	<input type="checkbox"/>
120	120" wide	<input type="checkbox"/>
144	144" wide	<input type="checkbox"/>

Step 4. Surface Material

L	lamine/thermoplastic edge	<input type="checkbox"/>
W	vener	<input type="checkbox"/>
U	lamine/universal edge	<input type="checkbox"/>

Step 5. Attachment Method

For 24" wide (24), 30" wide (30), 36" wide (36), or 42" wide (42)

L	left attachment	<input type="checkbox"/>
R	right attachment	<input type="checkbox"/>

For 48" wide (48), 60" wide (60), or 72" wide (72)

L	left attachment	<input type="checkbox"/>
M	mid attachment	<input type="checkbox"/>
R	right attachment	<input type="checkbox"/>

For 84" wide (84), 96" wide (96), 120" wide (120), or 144" wide (144)

M	mid attachment	<input type="checkbox"/>
----------	----------------	--------------------------

Prices for Steps 1-5.

		LL	LM	LR	WL	WM	WR
FD113. 22	24	\$227	—	227	591	—	591
	30	\$328	—	328	813	—	813
	36	\$379	—	379	924	—	924
	42	\$455	—	455	1091	—	1091
	48	\$530	530	530	1257	1245	1257
	60	\$631	631	631	1480	1465	1480
	72	\$732	732	732	1702	1685	1702
29	24	\$303	—	303	667	—	667
	30	\$404	—	404	889	—	889
	36	\$455	—	455	1000	—	1000
	42	\$531	—	531	1167	—	1167
	48	\$606	606	606	1334	1334	1334
	60	\$707	707	707	1556	1556	1556
	72	\$808	808	808	1778	1778	1778
42	24	—	\$1010	—	—	2222	—
	30	—	\$1111	—	—	2445	—
	36	—	\$1313	—	—	2889	—
	42	—	\$1515	—	—	3333	—
	48	\$455	—	455	1000	—	1000
	60	\$556	—	556	1223	—	1223
	72	\$606	—	606	1334	—	1334
48	24	\$682	—	682	1500	—	1500
	30	\$758	758	758	1667	1667	1667
	36	\$859	859	859	1889	1889	1889
	42	\$960	960	960	2111	2111	2111
	48	—	\$1212	—	—	2667	—
	60	—	\$1313	—	—	2889	—
	72	—	\$1515	—	—	3333	—
144	24	—	\$1717	—	—	3778	—

Gallery Panel, Dock Attached

continued

Canvas Office Landscape® Infrastructure

46 24	\$505	—	505	1111	—	1111
30	\$606	—	606	1334	—	1334
36	\$657	—	657	1445	—	1445
42	\$733	—	733	1611	—	1611
48	\$808	808	808	1778	1778	1778
60	\$909	909	909	2000	2000	2000
72	\$1010	1010	1010	2222	2222	2222
84	—	\$1313	—	—	2889	—
96	—	\$1414	—	—	3111	—
120	—	\$1616	—	—	3556	—
144	—	\$1818	—	—	4000	—

			UL	UM	UR
FD113. 22 24			\$227	—	227
30			\$328	—	328
36			\$379	—	379
42			\$455	—	455
48			\$530	530	530
60			\$631	631	631
72			\$732	732	732
29 24			\$303	—	303
30			\$404	—	404
36			\$455	—	455
42			\$531	—	531
48			\$606	606	606
60			\$707	707	707
72			\$808	808	808
84			—	\$1010	—
96			—	\$1111	—
120			—	\$1313	—
144			—	\$1515	—
42 24			\$455	—	455
30			\$556	—	556
36			\$606	—	606
42			\$682	—	682
48			\$758	758	758
60			\$859	859	859
72			\$960	960	960
84			—	\$1212	—
96			—	\$1313	—
120			—	\$1515	—
144			—	\$1717	—

46 24	\$505	—	505
30	\$606	—	606
36	\$657	—	657
42	\$733	—	733
48	\$808	808	808
60	\$909	909	909
72	\$1010	1010	1010
84	—	\$1313	—
96	—	\$1414	—
120	—	\$1616	—
144	—	\$1818	—

Step 6.

Surface Finish

For 24" wide (24), 30" wide (30), 36" wide (36), 42" wide (42), 48" wide (48), 84" wide (84), 96" wide (96), 120" wide (120), or 144" wide (144) with laminate/thermoplastic edge (L), or laminate/universal edge (U)

1X	vanilla <input type="checkbox"/>	+\$0
28	canyon <input type="checkbox"/>	+\$0
29	misted <input type="checkbox"/>	+\$0
2X	wheat <input type="checkbox"/>	+\$0
38	twilight <input type="checkbox"/>	+\$0
39	desert <input type="checkbox"/>	+\$0
3X	celery <input type="checkbox"/>	+\$0
4X	coriander <input type="checkbox"/>	+\$0
5X	chamomile <input type="checkbox"/>	+\$0
6X	cinnamon <input type="checkbox"/>	+\$0
76	light brown walnut <input type="checkbox"/>	+\$0
7X	cardamom <input type="checkbox"/>	+\$0
8Q	folkstone grey <input type="checkbox"/>	+\$0
8X	kale <input type="checkbox"/>	+\$0
91	white <input type="checkbox"/>	+\$0
98	studio white <input type="checkbox"/>	+\$0
BU	black umber <input type="checkbox"/>	+\$0
CL	cool grey neutral <input type="checkbox"/>	+\$0
HF	inner tone light <input type="checkbox"/>	+\$0
HM	natural maple <input type="checkbox"/>	+\$0
HP	light anigre <input type="checkbox"/>	+\$0
HT	inner tone <input type="checkbox"/>	+\$0
HX	aged cherry <input type="checkbox"/>	+\$0
HY	walnut on cherry <input type="checkbox"/>	+\$0
J4	frosted light grey <input type="checkbox"/>	+\$0
LA	light ash <input type="checkbox"/>	+\$0
LBA	clear on ash <input type="checkbox"/>	+\$0
LBR	phantom ecru <input type="checkbox"/>	+\$0
LBS	phantom cocoa <input type="checkbox"/>	+\$0

Gallery Panel, Dock Attached

continued

LBU	medium matte walnut <input type="checkbox"/>	+\$0
LBV	warm grey teak <input type="checkbox"/>	+\$0
LBB	oak on ash <input type="checkbox"/>	+\$0
LBC	walnut on ash <input type="checkbox"/>	+\$0
LBD	dark brown walnut <input type="checkbox"/>	+\$0
LBE	medium red walnut <input type="checkbox"/>	+\$0
LBF	neutral twill <input type="checkbox"/>	+\$0
LBG	sarum twill <input type="checkbox"/>	+\$0
LBH	earthen twill <input type="checkbox"/>	+\$0
LBJ	graphite twill <input type="checkbox"/>	+\$0
LBK	pewter mesh <input type="checkbox"/>	+\$0
LBL	steel mesh <input type="checkbox"/>	+\$0
LBM	crisp linen <input type="checkbox"/>	+\$0
LBN	classic linen <input type="checkbox"/>	+\$0
LBP	casual linen <input type="checkbox"/>	+\$0
LBQ	white twill <input type="checkbox"/>	+\$0
LG	light grey (discontinuing) <input type="checkbox"/>	+\$0
LM	mahogany <input type="checkbox"/>	+\$0
LT	light tone <input type="checkbox"/>	+\$0
LU	soft white <input type="checkbox"/>	+\$0
MT	medium tone <input type="checkbox"/>	+\$0
OG	honey maple <input type="checkbox"/>	+\$0
WL	sandstone <input type="checkbox"/>	+\$0
WN	warm grey neutral <input type="checkbox"/>	+\$0
X1	chalk white <input type="checkbox"/>	+\$0

Surface Finish

For 60" wide (60) or 72" wide (72) with laminate/thermoplastic edge (L), or laminate/universal edge (U)

8Q	folkstone grey <input type="checkbox"/>	+\$0
91	white <input type="checkbox"/>	+\$0
98	studio white <input type="checkbox"/>	+\$0
CL	cool grey neutral <input type="checkbox"/>	+\$0
LU	soft white <input type="checkbox"/>	+\$0
WL	sandstone <input type="checkbox"/>	+\$0
WN	warm grey neutral <input type="checkbox"/>	+\$0

Surface Finish

For 60" wide (60) or 72" wide (72) with laminate/thermoplastic edge (L), or laminate/universal edge (U)

LBM	crisp linen <input type="checkbox"/>	+\$0
LBN	classic linen <input type="checkbox"/>	+\$0
LBP	casual linen <input type="checkbox"/>	+\$0

Surface Finish

For 60" wide (60) or 72" wide (72) with laminate/thermoplastic edge (L), or laminate/universal edge (U)

LBK	pewter mesh <input type="checkbox"/>	+\$0
LBL	steel mesh <input type="checkbox"/>	+\$0

Surface Finish

For 60" wide (60) or 72" wide (72) with laminate/thermoplastic edge (L), or laminate/universal edge (U)

28	canyon <input type="checkbox"/>	+\$0
29	misted <input type="checkbox"/>	+\$0
38	twilight <input type="checkbox"/>	+\$0
39	desert <input type="checkbox"/>	+\$0

Surface/Edge Finish: Recut Veneer

For veneer (W)

DU	cathedral recut natural maple <input type="checkbox"/>	+\$85
HU	cathedral recut light anigre <input type="checkbox"/>	+\$85
JU	cathedral recut aged cherry <input type="checkbox"/>	+\$85
VU	cathedral recut light brown walnut <input type="checkbox"/>	+\$85
WU	cathedral recut walnut on cherry <input type="checkbox"/>	+\$85
XU	cathedral recut medium red cherry <input type="checkbox"/>	+\$85
ZU	cathedral recut chocolate brown sapele <input type="checkbox"/>	+\$85

Surface/Edge Finish: Wood Veneer

For veneer (W)

2U	light brown walnut <input type="checkbox"/>	+\$85
3U	medium red cherry <input type="checkbox"/>	+\$85
40	dark brown walnut <input type="checkbox"/>	+\$85
6U	chocolate brown sapele <input type="checkbox"/>	+\$85
ED	aged cherry <input type="checkbox"/>	+\$85
EK	medium red walnut <input type="checkbox"/>	+\$85
EW	medium matte walnut <input type="checkbox"/>	+\$85
ET	clear on ash <input type="checkbox"/>	+\$85
EU	oak on ash <input type="checkbox"/>	+\$85
EV	walnut on ash <input type="checkbox"/>	+\$85
UL	natural maple <input type="checkbox"/>	+\$85
UX	walnut on cherry <input type="checkbox"/>	+\$85

Step 7. Edge Finish

For laminate/thermoplastic edge (L)

76	light brown walnut <input type="checkbox"/>	+\$0
8Q	folkstone grey <input type="checkbox"/>	+\$0
91	white <input type="checkbox"/>	+\$0
98	studio white <input type="checkbox"/>	+\$0
BU	black umber <input type="checkbox"/>	+\$0

Gallery Panel, Dock Attached

continued

Canvas Office Landscape® Infrastructure

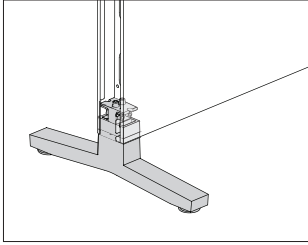
CL	cool grey neutral <input type="checkbox"/> <input type="checkbox"/>	+\$0
HF	inner tone light <input type="checkbox"/>	+\$0
HM	natural maple <input type="checkbox"/>	+\$0
HP	light anigre <input type="checkbox"/>	+\$0
HT	inner tone <input type="checkbox"/>	+\$0
HX	aged cherry <input type="checkbox"/>	+\$0
HY	walnut on cherry <input type="checkbox"/>	+\$0
LA	light ash <input type="checkbox"/>	+\$0
LBA	clear on ash <input type="checkbox"/>	+\$0
LBR	phantom ecru <input type="checkbox"/>	+\$0
LBS	phantom cocoa <input type="checkbox"/>	+\$0
LBU	medium matte walnut <input type="checkbox"/>	+\$0
LBV	warm grey teak <input type="checkbox"/>	+\$0
LBB	oak on ash <input type="checkbox"/>	+\$0
LBC	walnut on ash <input type="checkbox"/>	+\$0
LBD	dark brown walnut <input type="checkbox"/>	+\$0
LBE	medium red walnut <input type="checkbox"/>	+\$0
LBF	neutral twill <input type="checkbox"/>	+\$0
LBG	sarum twill <input type="checkbox"/>	+\$0
LBH	earthen twill <input type="checkbox"/>	+\$0
LBJ	graphite twill <input type="checkbox"/>	+\$0
LBK	pewter mesh <input type="checkbox"/>	+\$0
LBL	steel mesh <input type="checkbox"/>	+\$0
LBM	crisp linen <input type="checkbox"/>	+\$0
LBN	classic linen <input type="checkbox"/>	+\$0
LBP	casual linen <input type="checkbox"/>	+\$0
LBQ	white twill <input type="checkbox"/>	+\$0
LU	soft white <input type="checkbox"/>	+\$0
MT	medium tone <input type="checkbox"/>	+\$0
WL	sandstone <input type="checkbox"/>	+\$0
WN	warm grey neutral <input type="checkbox"/>	+\$0

For laminate/universal edge (U)

PLY	plywood edge <input type="checkbox"/>	+\$50
------------	---------------------------------------	-------

Dock Foot, Structural (Support Foot)

FD119.



Product Information

Description

This painted metal individual structural foot supports 1 end of a dock or the attachment point of 2 adjacent docks, and can support a dock wall run. It adjusts up to 1 1/2" for leveling. Attachment hardware included.

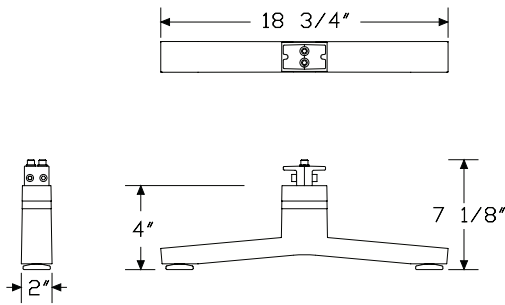
Notes

This foot is used in place of the dock foot (FD117.).

Order service kit (U1BDWGL) for additional leveling spacers.

See planning guide for length of run and proper support information.

Dimensions



Specification Information

Step 1.

FD119. A \$245

Step 2. Surface Finish

8Q folkstone grey A +\$0

98 studio white A +\$0

WL sandstone A +\$0

Bright Sand Texture Paint

91 white A +\$0

CL cool grey neutral A +\$0

G1 graphite A +\$0

WN warm grey neutral A +\$0

Metallic Paint

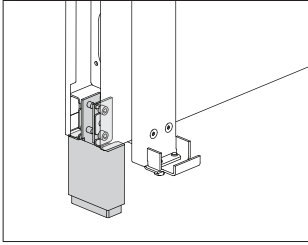
CN metallic champagne A +\$25

EH metallic bronze A +\$25

MS metallic silver A +\$25

Dock Foot

FD117.



Canvas Office Landscape® Infrastructure

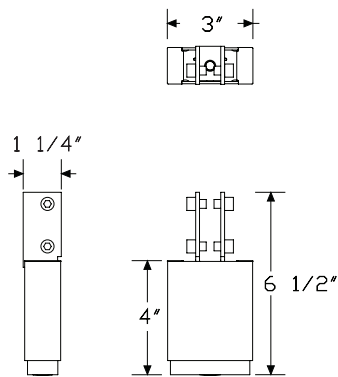
Product Information

Description
 This painted metal individual foot attaches at 1 end of a dock or at the attachment point of 2 adjacent docks. It adjusts up to 2" for leveling. Attachment hardware included.

Notes

Specify configuration (1A) for end-of-dock applications.
 Specify shared configuration (1B) for use where 2 docks come together.
 See planning guide for length of run and proper support information.

Dimensions



Specification Information

Step 1.

FD117. A

Step 2. Configuration

- 1A** end-of-dock A
- 1B** shared A

Prices for Steps 1-2.

FD117. 1A	\$111
1B	\$113

Step 3. Surface Finish

- 8Q** folkstone grey A +\$0
- 98** studio white A +\$0
- WL** sandstone A +\$0

Bright Sand Texture Paint

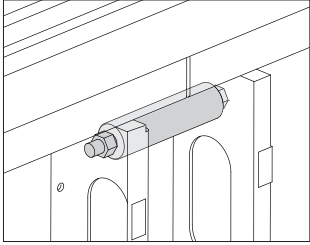
- 91** white A +\$0
- CL** cool grey neutral A +\$0
- G1** graphite A +\$0
- WN** warm grey neutral A +\$0

Metallic Paint

- CN** metallic champagne A +\$10
- EH** metallic bronze A +\$10
- MS** metallic silver A +\$10

Dock-to-Dock Connector

FD128.



Product Information

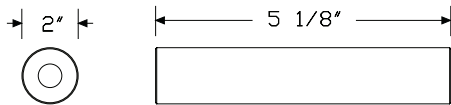
Description

This connecting hardware joins 2 docks together in-line.

Notes

Requires 1 dock foot (FD117.1B) or 1 structural foot (FD119.), ordered separately.

Dimensions



Specification Information

Step 1.

FD128. A

Step 2. Configuration

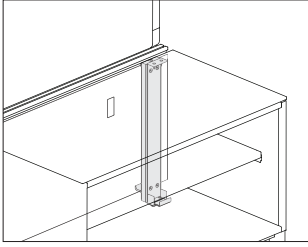
1 in-line connection A

Prices for Steps 1-2.

FD128. 1 \$36

Low Storage to Dock Bracket

FD292.



Canvas Office Landscape® Infrastructure

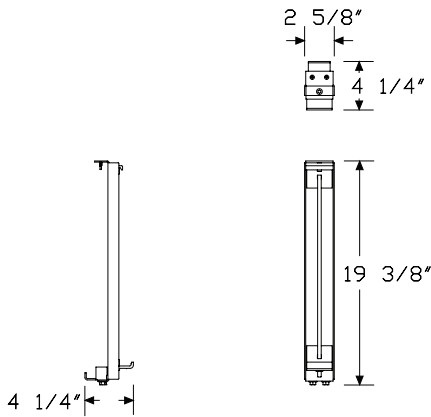
Product Information

Description
 This bracket attaches a Canvas wood or metal low credenza with 4" foot and thin top and provides structural support to the dock wall run. It allows the credenza unit to be positioned parallel or perpendicular to the dock. Includes 1 bracket and attachment hardware.

Notes

For use with low credenza with 4" foot and thin top.
 Bracket attaches with a 1" cable management gap.
 2 brackets required for each credenza unit.
 For information about properly supporting the dock, see Canvas Dock planning guide. See Canvas Office Landscape® planning guide for specific surface support guidelines when using the Canvas low credenza.

Dimensions



Specification Information

Step 1.

FD292. A

Step 2. Storage Type

- M** for use with metal low credenza with 4" high foot A
- W** for use with wood low credenza with 4" high foot A

Step 3. Storage Attachment Position

- G** 1" gap, for cord drop A

Prices for Steps 1-3.

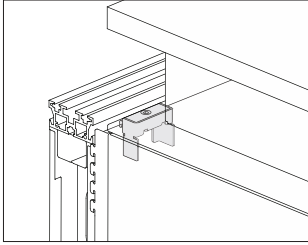
	G
FD292. M	\$122
W	\$122

Step 4. Surface Finish

- MS** metallic silver A + \$10

Low Storage to Dock Spacer

FD293.



Product Information

Description

This spacer attaches a Canvas wood or metal low credenza with 4" foot and thin top to the dock. It creates a uniform 1" cable management gap between the dock and credenza when the low storage to dock bracket is being used to support a dock wall run. Includes 1 spacer.

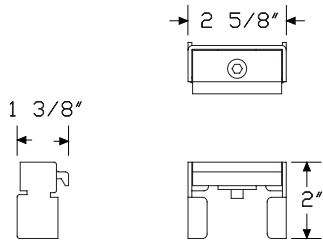
Notes

2 spacers required for each low credenza.

Spacer does not provide structural support to the dock wall.

For information about properly supporting the dock, see Canvas Dock planning guide. See Canvas Office Landscape® planning guide for specific surface support guidelines when using the Canvas low credenza.

Dimensions



Specification Information

Step 1.

FD293. A

Step 2. Storage Attachment Position

G 1" gap, for cord drop A

Prices for Steps 1-2.

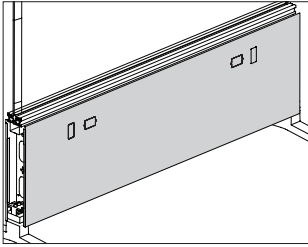
FD293. G \$21

Step 3. Surface Finish

MS metallic silver A +\$5

Lower Cladding

FD170.



Canvas Office Landscape® Infrastructure

Product Information

Description

This one-piece painted metal cladding finishes 1 side of a dock. It includes cladding and attachment hardware for 1 side of frame. Optional knockouts include 2 data face plate perforated knockouts, 1 for each end of the cladding, and knockouts to route power conduit out of the dock to the underside of a work surface when the undersurface power module is used.

Notes

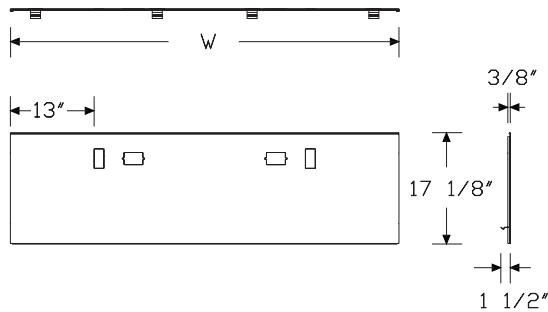
Can be specified with knockouts (K) for power/data or without knockouts (N).

Knockouts are for NEMA data face plates.

Data face plates are field supplied.

For power access below the surface, specify undersurface power module (FD152.) and cable manager dock to surface (FD199.) separately. Specify cladding to match width of dock structure.

Dimensions



Specification Information

Step 1.

FD170. A

Step 2. Width

- 42** 42" wide A
- 48** 48" wide A
- 60** 60" wide A
- 72** 72" wide A
- 84** 84" wide A
- 96** 96" wide A

Step 3. Surface Material

P painted A

Step 4. Cord Knockouts

- K** knockouts A
- N** no knockouts A

Prices for Steps 1-4.

	K	N
FD170. 42 P	\$189	189
48 P	\$193	193
60 P	\$196	196
72 P	\$207	207
84 P	\$241	241
96 P	\$269	269

Step 5. Surface Finish

- 8Q** folkstone grey A +\$0
- 98** studio white A +\$0
- WL** sandstone A +\$0

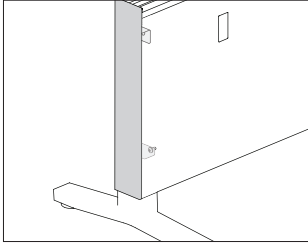
Bright Sand Texture Paint

- 91** white A +\$0
- CL** cool grey neutral A +\$0
- G1** graphite A +\$0
- WN** warm grey neutral A +\$0

Metallic Paint

- CN** metallic champagne A +\$10
- EH** metallic bronze A +\$10
- MS** metallic silver A +\$10

Finished End, Architectural, Dock FD16A.

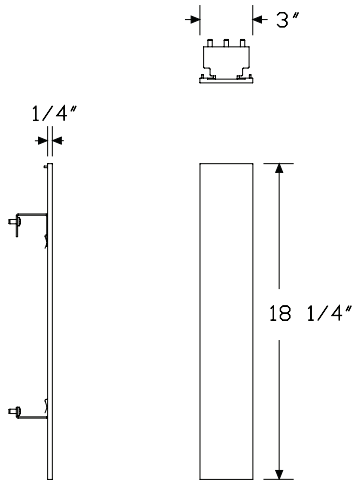


Product Information

Description

This 18 1/4"-high painted metal cover finishes 1 end of a single dock. Attachment hardware included.

Dimensions



Specification Information

Step 1.

FD16A. A

Step 2. Height

22 22" high A

Step 3. Surface Material

P painted A

Prices for Steps 1-3.

	P
FD16A. 22	\$172

Step 4. Surface Finish

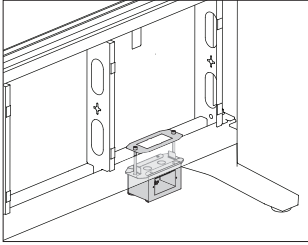
8Q folkstone grey <input type="checkbox"/> A	+\$0
98 studio white <input type="checkbox"/> A	+\$0
WL sandstone <input type="checkbox"/> A	+\$0

Bright Sand Texture Paint

91 white <input type="checkbox"/> A	+\$0
CL cool grey neutral <input type="checkbox"/> A	+\$0
G1 graphite <input type="checkbox"/> A	+\$0
WN warm grey neutral <input type="checkbox"/> A	+\$0

Metallic Paint

CN metallic champagne <input type="checkbox"/> A	+\$7
EH metallic bronze <input type="checkbox"/> A	+\$7
MS metallic silver <input type="checkbox"/> A	+\$7

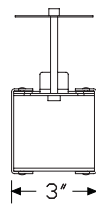
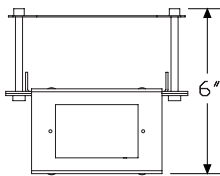
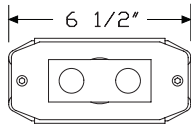


Product Information

Description
 This housing mounts on the bottom of the dock or under a work surface and supports face plates with voice/data ports. Attachment hardware included.

Notes
 Housing accepts a NEMA data faceplate.

Dimensions



Specification Information

Step 1.

FD159. A

Step 2. Application

- 01** bottom of the dock A
- 02** under work surface A

Prices for Steps 1-2.

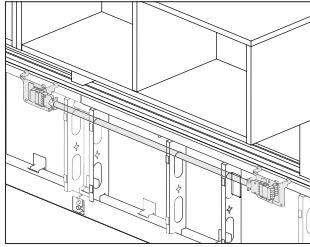
FD159. 01	\$179
02	\$179

Step 3. Finish

8Q	folkstone grey A	+\$0
91	white A	+\$0
98	studio white A	+\$0
G1	graphite A	+\$0
MS	metallic silver A	+\$0
WL	sandstone A	+\$0

Dock Power Harness

FD151.



Product Information

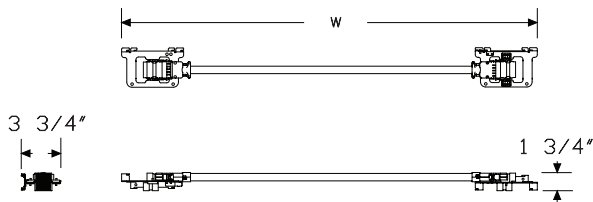
Description

This power harness distributes power within a dock. It has 2 power blocks with connecting conduit and is suspended from the dock top rail within the interior of the dock. It is available in 8-wire and 10-wire configurations and distributes up to 4 20-amp circuits. Each power block has 3 additional modular connection locations to connect power entries, block to block jumpers, and power modules. Harness is UL listed.

Notes

Specify width of power harness to match width of dock structure.

Dimensions



Specification Information

Step 1.

FD151. A

Step 2. Configuration

08 8-wire, 4-circuit, shared neutral A

10 10-wire, 4-circuit, separate neutrals A

Step 3. Width

42 42" wide A

48 48" wide A

60 60" wide A

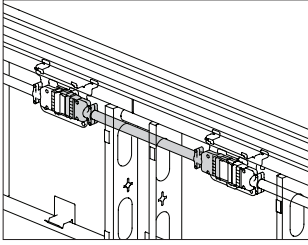
72 72" wide A

84 84" wide A

96 96" wide A

Prices for Steps 1-3.

	42	48	60	72	84	96
FD151. 08	\$177	202	253	303	354	404
10	\$177	202	253	303	354	404



Canvas Office Landscape® Energy Distribution

Product Information

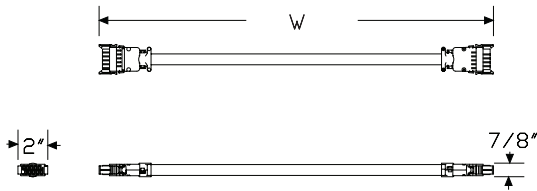
Description

This power jumper routes power from a dock power harness to an adjacent dock power harness in an in-line connection. It is available in 8-wire and 10-wire configurations and distributes up to 4 20-amp circuits. It is UL listed and Canadian UL listed.

Notes

Uses 1 modular connection location on each end of adjacent dock power harnesses (FD151).

Dimensions



Specification Information

Step 1.

FD154. [A]

Step 2. Configuration

- 08** 8-wire, 4-circuit, shared neutral [A]
- 10** 10-wire, 4-circuit, separate neutrals [A]

Step 3. Jumper Application

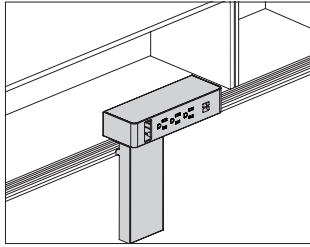
S for straight dock to dock connections [A]

Step 4. Length

20 20" long [A]

Prices for Steps 1-4.

	20
FD154. 08 S	\$112
10 S	\$112



Product Information

Description

This power module attaches to the Canvas dock top rail. The unit has a modular connection end that attaches to 1 connection point of the internal dock power harness. It has 3 power outlets, 2 USB charging ports, an opening for data module terminations, and an integrated cable manager. Mounting hardware included. Product is UL listed.

Notes

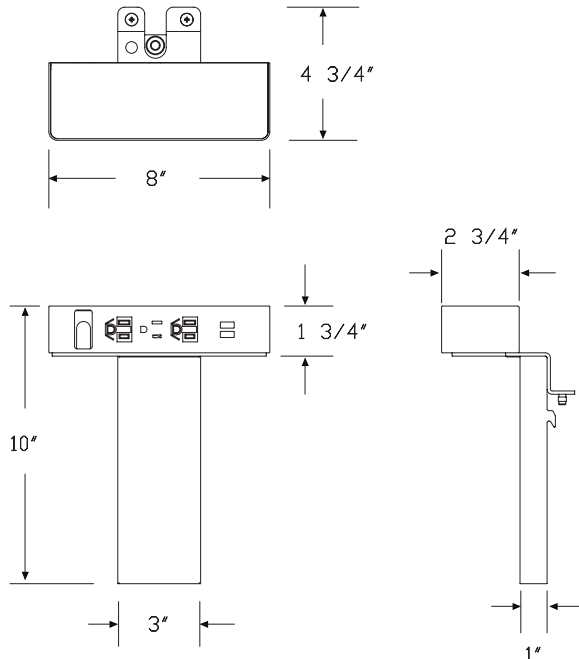
Power unit is plastic; vertical wire chase is painted metal. When specifying white (G1) or graphite (G1) paint, plastic housing color matches specified painted surface finish. When specifying metallic silver (MS) paint, plastic housing color is cool grey neutral (CL).

USB ports will charge most small electronic devices. Software in each device controls the ability to accept charge via USB. Each USB port supplies 10 watts of power.

When attached to Canvas dock top rail, top of power unit is 25 1/4" above the floor.

8 wire, shared neutral product (AN, BN, CN, DN) is a 3+1 configuration.

Dimensions



Specification Information

Step 1.

FD158. [A]

Step 2. Configuration

H 3 simplex receptables, 2 powered USB, 1 Data Opening [A]

Step 3. Circuit Type

AN 8 wire, circuit A, shared neutral [A]

BN 8 wire, circuit B, shared neutral [A]

CN 8 wire, circuit C, shared neutral [A]

DN 8 wire, circuit D, shared neutral [A]

H for hardwiring-chicago code-conduit with open end [A]

Prices for Steps 1-3.

	AN	BN	CN	DN	H
FD158. H	\$566	566	566	566	586

Step 4. Surface Finish

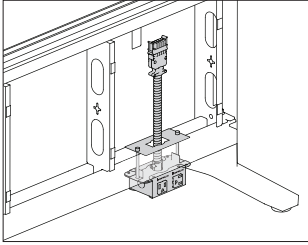
91 white [A] +\$0

G1 graphite [A] +\$0

MS metallic silver [A] +\$10

Controlled Power Module -
Bottom of Dock

FD150M



Canvas Office Landscape® Energy Distribution

Product Information

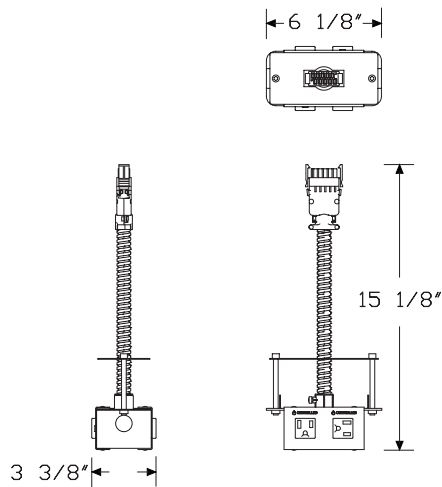
Description

This receptacle is to be used for ASHRAE 90.1 and Title 24 compliance. A controlled receptacle should be used for any receptacles that are under automated control by the energy management system. This power module attaches at the bottom of the dock. The modular plug end connects to a dock power harness. Power module includes 4 simplex receptacles, 2 on each side of the dock. Attachment hardware included. Power module is UL listed and Canadian UL listed.

Notes

For modules with 2 circuits, ensure that the controlled marking is only specified for the circuits that will be under automated control by the energy management system.

Dimensions



Specification Information

Step 1.

FD150M. [A]

Step 2. Type

- AN** 8 wire, circuit A, share neutral [A]
- BN** 8 wire, circuit B, share neutral [A]
- CN** 8 wire, circuit C, share neutral [A]
- DN** 8 wire, circuit D, share neutral [A]
- BG** 8 wire, circuit B, isolated ground [A]
- CG** 8 wire, circuit C, isolated ground [A]
- DG** 8 wire, circuit D, isolated ground [A]
- ADN** 8 wire, (1) circuit A and (1) circuit D on each side [A]
- BCI** 8 wire, (1) circuit B and (1) circuit CG isolated ground on each side [A]
- ADNA** 8 wire, (1) circuit A and (1) circuit D on each side [A] controlled marking on A circuit [A]
- BCIB** 8 wire, (1) circuit B and (1) circuit CG isolated ground on each side [A] controlled marking on B circuit [A]
- ADND** 8 wire, (1) circuit A and (1) circuit D on each side [A] controlled marking on D circuit [A]
- BCIC** 8 wire, (1) circuit B and (1) circuit CG isolated ground on each side [A] controlled marking on C circuit [A]
- 3G** 10 wire, separate neutrals, isolated ground, circuit 3 [A]
- 4G** 10 wire, separate neutrals, isolated ground, circuit 4 [A]
- 1N4N** 10 wire, (1) circuit 1N and (1) circuit 4N on each side [A]
- 2N3G** 10 wire, (1) circuit 2N and (1) isolated ground 3G on each side [A]

Prices for Steps 1-2.

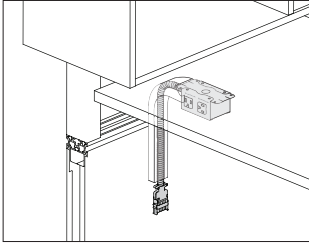
FD150M. AN	\$354
BN	\$354
CN	\$354
DN	\$354
BG	\$354
CG	\$354
DG	\$354
ADN	\$354
BCI	\$354
ADNA	\$354
BCIB	\$354
ADND	\$354
BCIC	\$354
3G	\$354
4G	\$354
1N4N	\$354
2N3G	\$354

Controlled Power Module - Bottom of Dock *continued*

Step 3. Finish

8Q	folkstone grey <input type="checkbox"/>	+\$0
91	white <input type="checkbox"/>	+\$0
98	studio white <input type="checkbox"/>	+\$0
G1	graphite <input type="checkbox"/>	+\$0
MS	metallic silver <input type="checkbox"/>	+\$5
WL	sandstone <input type="checkbox"/>	+\$0

Under Surface Controlled Power Module FD152M



Canvas Office Landscape® Energy Distribution

Product Information

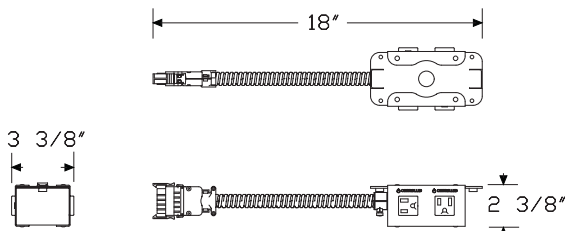
Description

This receptacle is to be used for ASHRAE 90.1 and Title 24 compliance. A controlled receptacle should be used for any receptacles that are under automated control by the energy management system. This power module attaches beneath a dock-supported work surface. The modular plug end connects to a dock power harness. Power module includes 4 simplex receptacles. Attachment hardware included. Power module is UL listed and Canadian UL listed.

Notes

For modules with 2 circuits, ensure that the controlled marking is only specified for the circuits that will be under automated control by the energy management system.

Dimensions



Specification Information

Step 1.

FD152M. A

Step 2. Type

- AN** 8 wire, circuit A, share neutral A
- BN** 8 wire, circuit B, share neutral A
- CN** 8 wire, circuit C, share neutral A
- DN** 8 wire, circuit D, share neutral A
- BG** 8 wire, circuit B, isolated ground A
- CG** 8 wire, circuit C, isolated ground A
- DG** 8 wire, circuit D, isolated ground A
- ADN** 8 wire, (1) circuit A and (1) circuit D on each side A
- BCI** 8 wire, (1) circuit B and (1) circuit CG isolated ground on each side A
- ADNA** 8 wire, (1) circuit A and (1) circuit D on each side A controlled marking on A circuit A
- BCIB** 8 wire, (1) circuit B and (1) circuit CG isolated ground on each side A controlled marking on B circuit A
- ADND** 8 wire, (1) circuit A and (1) circuit D on each side A controlled marking on D circuit A
- BCIC** 8 wire, (1) circuit B and (1) circuit CG isolated ground on each side A controlled marking on C circuit A
- 3G** 10 wire, separate neutrals, isolated ground, circuit 3 A
- 4G** 10 wire, separate neutrals, isolated ground, circuit 4 A
- 1N4N** 10 wire, (1) circuit 1N and (1) circuit 4N on each side A
- 2N3G** 10 wire, (1) circuit 2N and (1) isolated ground 3G on each side A

Step 3. Cord/Conduit Length

03 3' cord/conduit A

Under Surface Controlled Power Module *continued*

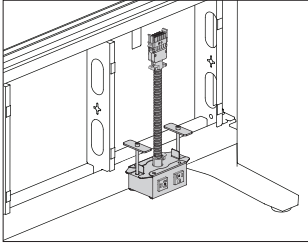
Prices for Steps 1-3.

	03
FD152M. AN	\$354
BN	\$354
CN	\$354
DN	\$354
BG	\$354
CG	\$354
DG	\$354
ADN	\$354
BCI	\$354
ADNA	\$354
BCIB	\$354
ADND	\$354
BCIC	\$354
3G	\$354
4G	\$354
1N4N	\$354
2N3G	\$354

Step 4. Finish

8Q folkstone grey <input type="checkbox"/> A	+ \$0
91 white <input type="checkbox"/> A	+ \$0
98 studio white <input type="checkbox"/> A	+ \$0
G1 graphite <input type="checkbox"/> A	+ \$0
MS metallic silver <input type="checkbox"/> A	+ \$5
WL sandstone <input type="checkbox"/> A	+ \$0

Power Module - Bottom of Dock - FD156.
20 amp



Canvas Office Landscape® Energy Distribution

Product Information

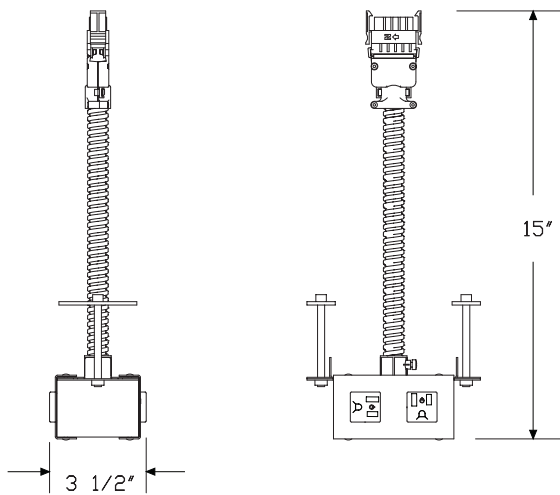
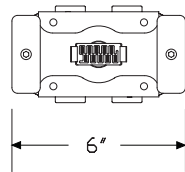
Description

This power module attaches at the bottom of the dock. The modular plug end connects to a dock power harness. Power module includes 4 simplex receptacles, 2 on each side of the dock. Receptacles in this module are rated for 20 amps. Attachment hardware included. Power module is UL listed and Canadian UL listed.

Notes

Receptacles are black. Metal housing is painted.

Dimensions



Specification Information

Step 1.

FD156. A

Step 2. Type

- AN** 8 wire, shared neutral, circuit A A
- BN** 8 wire, shared neutral, circuit B A
- CN** 8 wire, shared neutral, circuit C A
- DN** 8 wire, shared neutral, circuit D A
- BG** 8 wire, shared neutral, circuit B, isolated ground A
- CG** 8 wire, shared neutral, circuit C isolated ground A
- DG** 8 wire, shared neutral, circuit D, isolated ground A
- ADN** 8 wire, shared neutral, (1) circuit A and (1) circuit D on each side A
- BCI** 8 wire, shared neutral, (1) circuit B and (1) circuit CG isolated ground on each side A
- 3G** 10 wire, separate neutrals, circuit 3, isolated ground A
- 4G** 10 wire, separate neutrals, isolated ground, circuit 4 A
- 1N4N** 10 wire, (1) circuit 1N and (1) circuit 4N on each side A
- 2N3G** 10 wire, (1) circuit 2N and (1) isolated ground 3G on each side A

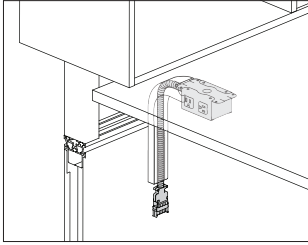
Prices for Steps 1-2.

FD156. AN	\$404
BN	\$404
CN	\$404
DN	\$404
BG	\$404
CG	\$404
DG	\$404
ADN	\$404
BCI	\$404
3G	\$404
4G	\$404
1N4N	\$404
2N3G	\$404

Step 3. Finish

91 white <input type="checkbox"/> A	+\$0
G1 graphite <input type="checkbox"/> A	+\$0
MS metallic silver <input type="checkbox"/> A	+\$5

Under Surface Power Module - 20 amp FD157.



Product Information

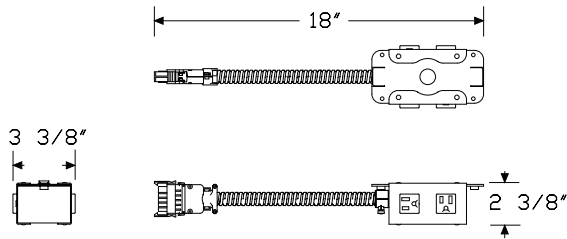
Description

This power module attaches to the underside of a dock-supported work surface or storage unit. The modular plug end connects to a dock power harness. This power module includes 4 simplex receptacles, rated for 20 amps. Attachment hardware included. Power module is UL listed and Canadian UL listed.

Notes

Receptacles are black. Metal housing is painted.

Dimensions



Specification Information

Step 1.

FD157. A

Step 2. Type

- AN** 8 wire, shared neutral, circuit A A
- BN** 8 wire, shared neutral, circuit B A
- CN** 8 wire, shared neutral, circuit C A
- DN** 8 wire, shared neutral, circuit D A
- BG** 8 wire, shared neutral, circuit B, isolated ground A
- CG** 8 wire, shared neutral, circuit C isolated ground A
- DG** 8 wire, shared neutral, circuit D, isolated ground A
- ADN** 8 wire, shared neutral, (1) circuit A and (1) circuit D on each side A
- BCI** 8 wire, shared neutral, (1) circuit B and (1) circuit CG isolated ground on each side A
- 3G** 10 wire, separate neutrals, circuit 3, isolated ground A
- 4G** 10 wire, separate neutrals, isolated ground, circuit 4 A
- 1N4N** 10 wire, (1) circuit 1N and (1) circuit 4N on each side A
- 2N3G** 10 wire, (1) circuit 2N and (1) isolated ground 3G on each side A

Step 3. Cord/Conduit Length

03 3' cord/conduit A

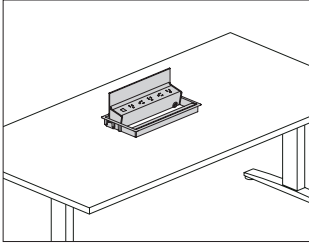
Prices for Steps 1-3.

	03
FD157. AN	\$404
BN	\$404
CN	\$404
DN	\$404
BG	\$404
CG	\$404
DG	\$404
ADN	\$404
BCI	\$404
3G	\$404
4G	\$404
1N4N	\$404
2N3G	\$404

Step 4. Finish

- 91** white A +\$0
- G1** graphite A +\$0
- MS** metallic silver A +\$5

Logic G1000 Grommet Mounted Electrical Distributor Y1425.



Product Information

Description

This Logic Power Access Solutions™ grommet mounted electrical distributor comes in several widths and configurations of simplex receptacles and USB charging ports. The unit is powered using a standard power cord with plug end, a hard-wired connection with electrical conduit, or an IEC connector when used with Renew™ Sit-to-Stand tables. An integrated cord keeper at the face of the unit captures data cords. The unit pivots from a closed position to 135° allowing easy access to power and data cords stored beneath the unit. Product is UL listed.

Notes

Field cutting of grommet cutout is possible.

IEC connector for Renew power type (C) includes short cord designed to connect to the Renew table power cord through-leg option. Actual cord length may vary.

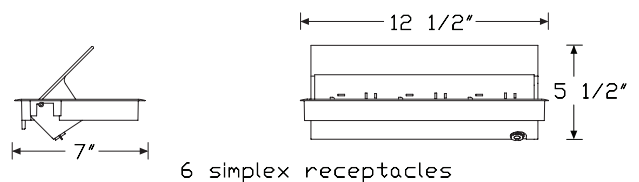
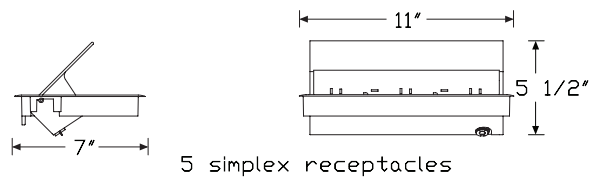
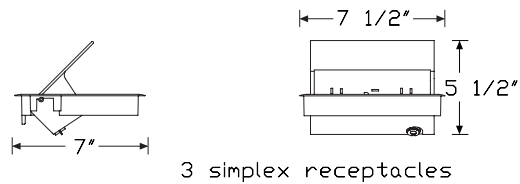
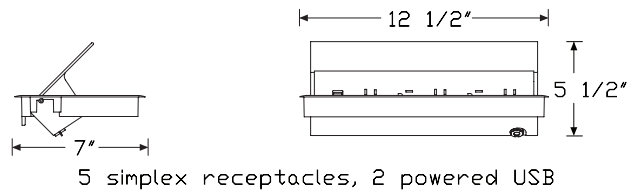
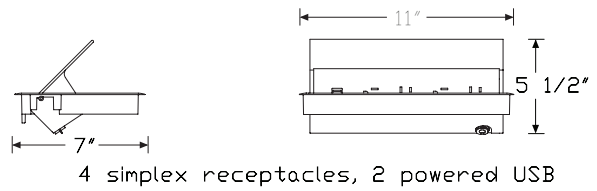
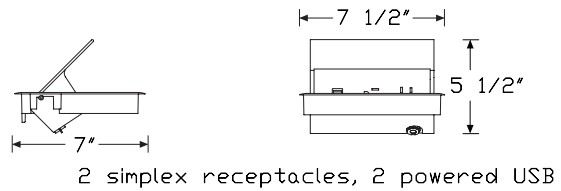
Simplex receptacles have alternating orientation and greater than normal plug spacing to accommodate most plug types.

USB ports supply 10-watt power and will charge most small electronic devices. Software in each device controls that devices ability to accept a charge via USB.

Refer to Renew™ Sit-to-Stand Tables and Locale® planning guides for specific application information.

20' cord/conduit length (20) is recommended for Exclave® applications.

Dimensions



Logic G1000 Grommet Mounted Electrical Distributor *continued*

Specification Information

Step 1.

Y1425. A

Step 2. Configuration

- A** 2 simplex receptacles, 2 powered USB A
- C** 4 simplex receptacles, 2 powered USB A
- D** 5 simplex receptacles, 2 powered USB A
- E** 3 simplex receptacles A
- F** 5 simplex receptacles A
- G** 6 simplex receptacles A

Step 3. Power Type

- A** power cord with plug end A
- B** conduit with open end, for hard-wiring A
- C** IEC connector for Renew Tables A

Step 4. Cord/Conduit Length

For power cord with plug end (A)

- 03** 3' cord/conduit A
- 06** 6' cord/conduit A
- 10** 10' cord/conduit A

For conduit with open end, for hard-wiring (B)

- 03** 3' cord/conduit A
- 06** 6' cord/conduit A
- 10** 10' cord/conduit A

For IEC connector for Renew Tables (C)

- 03** 3' cord/conduit A

Prices for Steps 1-4.

		03	06	10
Y1425. A	A	\$639	639	649
	B	\$688	688	698
	C	\$649	—	—
	C A	\$741	741	751
	B	\$790	790	801
	C	\$751	—	—
	D A	\$807	807	817
	B	\$856	856	866
	C	\$817	—	—
	E A	\$491	491	501
	B	\$540	540	550
	C	\$501	—	—

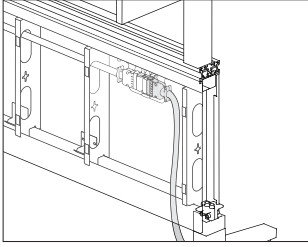
F A	\$593	593	604
B	\$643	643	653
C	\$604	—	—
G A	\$659	659	669
B	\$708	708	719
C	\$669	—	—

Step 5. Finish

91 white <input type="checkbox"/> A			+\$0
98 studio white <input type="checkbox"/> A			+\$0
G1 graphite <input type="checkbox"/> A			+\$0
MS metallic silver <input type="checkbox"/> A			+\$0

Power Entry, Internal Direct
Connect - Floor

FD144.



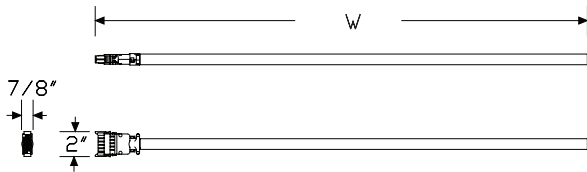
Canvas Office Landscape® Energy Distribution

Product Information

Description
This power entry connects a building's electrical supply from a wall, floor or column to the dock. It is available in 8-wire and 10-wire configurations and distributes up to 4 20-amp circuits. It connects to the modular connection location on the end of a dock power harness. Power entry is UL listed and Canadian UL listed.

Notes
Power entry uses 1 modular connection location on each end of adjacent dock power harnesses (FD151).
Licensed electrician must wire the power entry.

Dimensions



Specification Information

Step 1.

FD144. A

Step 2. Configuration

- 08** 8-wire, 4-circuit, shared neutral A
- 10** 10-wire, 4-circuit, separate neutrals A

Step 3. Length

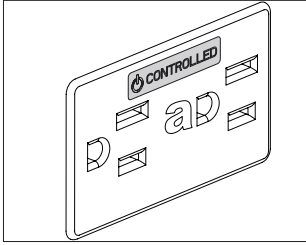
- 06** 6' long A
- 12** 12' long A
- 18** 18' long A
- 24** 24' long A

Prices for Steps 1-3.

	06	12	18	24
FD144. 08	\$195	270	328	387
10	\$195	270	328	387

Controlled Receptacle Decal
(12 per sheet)

G9999.

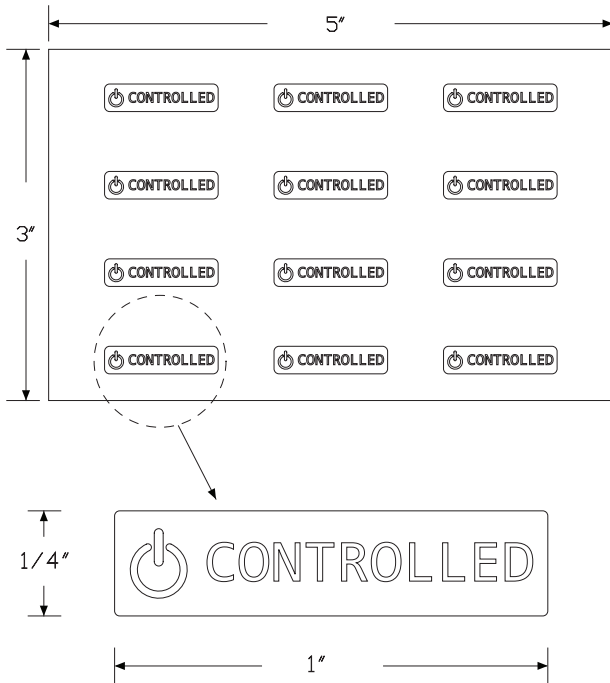


Product Information

Description

This decal is to be used for ASHRAE90.1 and Title 24 compliance. The decal is used to mark standard receptacles (new or existing) that are under automated control by the energy management system. 1 sheet includes 12 clear decals with white or black print.

Dimensions



Specification Information

Step 1.

G9999. A

Step 2. Color

B black print A

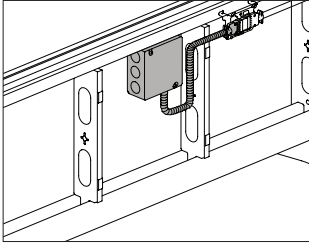
W white print A

Prices for Steps 1-2.

G9999. B \$7
W \$7

Power Entry, New York - Floor
Power Entry

FD141.



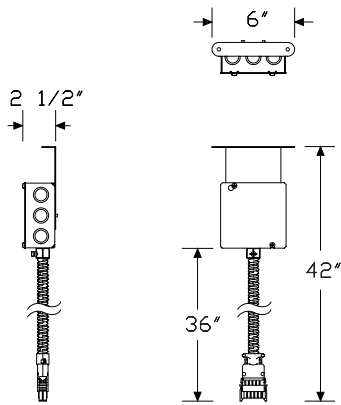
Canvas Office Landscape® Energy Distribution

Product Information

Description
This floor power entry connects a building's electrical supply from a wall, floor or column to the dock power harness. It connects to the modular connection location on the end of a dock power harness, and includes a junction box. Power entry is UL listed and Canadian UL listed.

Notes
Licensed electrician must wire power entry.
Power entry uses 1 modular connection location on each end of adjacent dock power harnesses (FD151).
Dock power harness, internal (FD151.) is required. Order separately.

Dimensions



Specification Information

Step 1.

FD141. A

Step 2. Configuration

08 8-wire, 4-circuit, shared neutral A

10 10-wire, 4-circuit, separate neutrals A

Step 3. Length

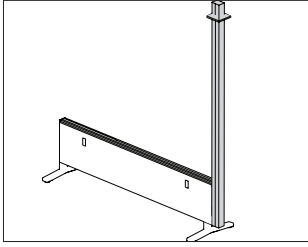
30 30" long A

Prices for Steps 1-3.

	30
FD141. 08	\$377
10	\$377

Ceiling Power Entry

FD142.



Product Information

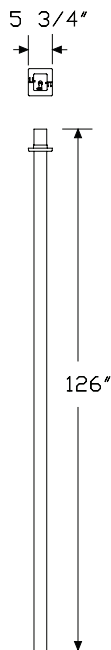
Description

This power entry connects a ceiling electrical supply to the end of a dock run. It distributes up to 4 20-amp circuits. The power entry comes with a 10'-high pole that can be field cut to the appropriate length, ceiling trim, connecting hardware conduit, and factory supplied electrical harness. The power entry plugs into the end of the harness. Power entry is UL listed and Canadian UL listed.

Notes

Power entry uses 1 modular connection location on each end of adjacent dock power harnesses (FD151).
Licensed electrician must wire the power entry.

Dimensions



Specification Information

Step 1.

FD142. A

Step 2. Dock Height

22 22" high dock A

Step 3. Power Configuration

08 8-wire, 4-circuit, shared neutral A

10 10-wire, 4-circuit, separate neutrals A

N nonpowered A

Prices for Steps 1-3.

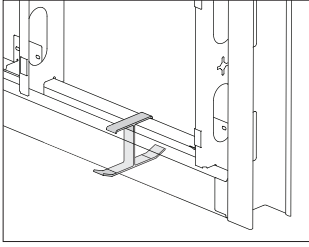
	08	10	N
FD142. 22	\$726	726	406

Step 4. Finish

8Q	folkstone grey <input type="checkbox"/> A	+\$0
91	white <input type="checkbox"/> A	+\$0
98	studio white <input type="checkbox"/> A	+\$0
CL	cool grey neutral <input type="checkbox"/> A	+\$0
G1	graphite <input type="checkbox"/> A	+\$0
WL	sandstone <input type="checkbox"/> A	+\$0
WN	warm grey neutral <input type="checkbox"/> A	+\$0

Cable Clips

FD198.

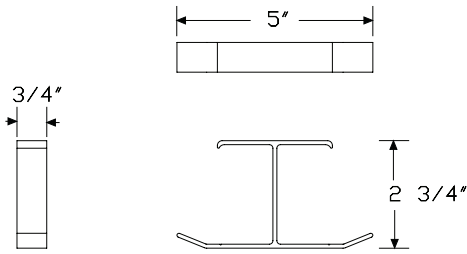


Product Information

Description

These optional cable clips are used to route wires and cables in the 1" cable gap between the face of the dock cladding and the back of a Canvas low credenza with 4" feet and thin top. Clip color is black. Package of 4.

Dimensions



Specification Information

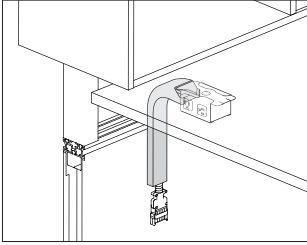
Step 1.

FD198. A \$65

Step 2. Finish

BK black A +\$0

Cable Manager - Dock to Surface FD199.



Product Information

Description

This optional cable manager routes power and data from the dock to the underside of a dock-supported work surface. Attachment hardware included.

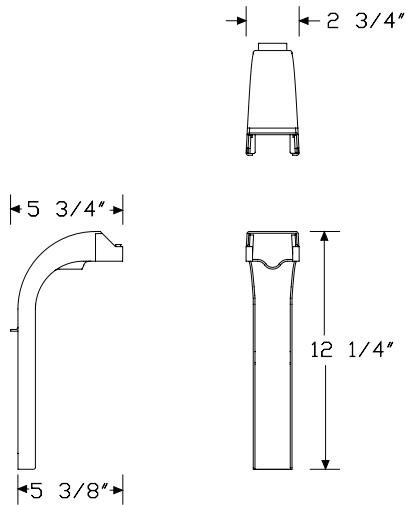
Notes

Manages data cables and covers conduit, cables and knockout in cladding.

Specify undersurface power module (FD152.) separately.

Specify undersurface data module (FD159.02) separately.

Dimensions



Specification Information

Step 1.

FD199. [A]

Step 2. Height

10 10" high [A]

Prices for Steps 1-2.

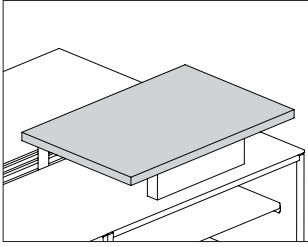
FD199. 10 \$120

Step 3. Finish

8Q	folkstone grey [A]	+\$0
91	white [A]	+\$0
98	studio white [A]	+\$0
CL	cool grey neutral [A]	+\$0
G1	graphite [A]	+\$0
WL	sandstone [A]	+\$0

Individual Bridge

FDE17.
FDS17.
FDT17.



Product Information

Description
This surface spans the dock and lower storage on 1 side of the dock. It has a laminate top and thermoplastic edge, laminate top with a thermoplastic backed plywood edge, veneer top and edge, or painted Formcoat® top and edge. Laminate surfaces are 1 1/4" thick. Painted Formcoat surfaces are 1" thick. Stabilizer brackets included.

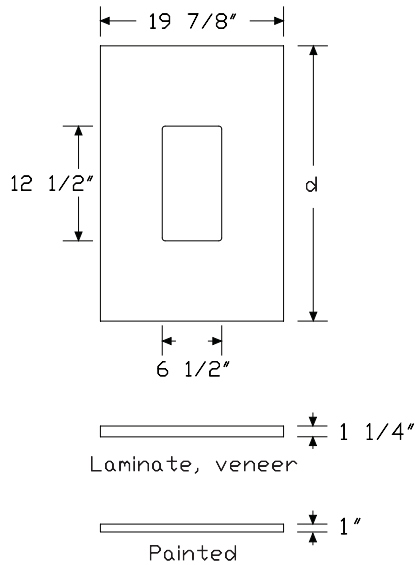
Notes

Bridge is supported by a low credenza with 4" foot and thin top on one side of dock wall. Specify the following products separately, 1 for each side of the individual bridge:

- Surface support, low credenza, adjustable height (FT299.)
- Surface support, low credenza, fixed height (FT298.)

Power access center cutout option (CAC) accepts the Logic G1000 grommet mounted electrical distributor, 6-receptacle unit (Y1425.D or Y1425.G), ordered separately.

Dimensions



Specification Information

Step 1.

FD **A**

Step 2. Edge

- S17.** squared edge **A**
- T17.** thin-edge **A**
- E17.** eased-edge **A**

Step 3. Depth

- 24** 24" deep **A**
- 30** 30" deep **A**

Step 4. Width

- 20** 20" wide **A**

Step 5. Surface Material

For squared edge (S17.)

- L** laminate top/thermoplastic edge **A**
- W** veneer **A**
- P** painted Formcoat® top/edge **A**
- U** laminate top/universal edge **A**

For thin-edge (T17.)

- L** laminate top/thermoplastic edge **A**
- W** veneer **A**
- P** painted Formcoat® top/edge **A**

For eased-edge (E17.)

- P** painted Formcoat® top/edge **A**

Prices for Steps 1-5.

	L	W	P	U
FDS17. 24 20	\$246	451	462	246
30 20	\$282	503	483	282
	L	W	P	U
FDT17. 24 20	\$328	533	462	—
30 20	\$364	569	483	—
	L	W	P	U
FDE17. 24 20	—	—	\$462	—
30 20	—	—	\$483	—

Individual Bridge *continued*

Step 6. Power Access Cutout

NNN	no cutout <input type="checkbox"/>	+\$0
CAC	center cutout <input type="checkbox"/>	+\$75

Step 7.

Top Finish

For laminate top/thermoplastic edge (L) or laminate top/universal edge (U)

8Q	folkstone grey <input type="checkbox"/>	+\$0
91	white <input type="checkbox"/>	+\$0
98	studio white <input type="checkbox"/>	+\$0
CL	cool grey neutral <input type="checkbox"/>	+\$0
HF	inner tone light <input type="checkbox"/>	+\$0
HT	inner tone <input type="checkbox"/>	+\$0
LU	soft white <input type="checkbox"/>	+\$0
WL	sandstone <input type="checkbox"/>	+\$0
WN	warm grey neutral <input type="checkbox"/>	+\$0
76	light brown walnut <input type="checkbox"/>	+\$0
HM	natural maple <input type="checkbox"/>	+\$0
HP	light anigre <input type="checkbox"/>	+\$0
HX	aged cherry <input type="checkbox"/>	+\$0
HY	walnut on cherry <input type="checkbox"/>	+\$0
LA	light ash <input type="checkbox"/>	+\$0
LBA	clear on ash <input type="checkbox"/>	+\$0
LBR	phantom ecru <input type="checkbox"/>	+\$0
LBS	phantom cocoa <input type="checkbox"/>	+\$0
LBU	medium matte walnut <input type="checkbox"/>	+\$0
LBV	warm grey teak <input type="checkbox"/>	+\$0
LBB	oak on ash <input type="checkbox"/>	+\$0
LBC	walnut on ash <input type="checkbox"/>	+\$0
LBD	dark brown walnut <input type="checkbox"/>	+\$0
LBE	medium red walnut <input type="checkbox"/>	+\$0
OG	honey maple <input type="checkbox"/>	+\$0
LBF	neutral twill <input type="checkbox"/>	+\$0
LBG	sarum twill <input type="checkbox"/>	+\$0
LBH	earthen twill <input type="checkbox"/>	+\$0
LBJ	graphite twill <input type="checkbox"/>	+\$0
LBQ	white twill <input type="checkbox"/>	+\$0
LBK	pewter mesh <input type="checkbox"/>	+\$0
LBL	steel mesh <input type="checkbox"/>	+\$0
LBM	crisp linen <input type="checkbox"/>	+\$0
LBN	classic linen <input type="checkbox"/>	+\$0
LBP	casual linen <input type="checkbox"/>	+\$0

Top/Edge Finish: Wood Veneer

For veneer (W)

2U	light brown walnut <input type="checkbox"/>	+\$85
40	dark brown walnut <input type="checkbox"/>	+\$85
ED	aged cherry <input type="checkbox"/>	+\$85
EK	medium red walnut <input type="checkbox"/>	+\$85
EW	medium matte walnut <input type="checkbox"/>	+\$85
ET	clear on ash <input type="checkbox"/>	+\$85
EU	oak on ash <input type="checkbox"/>	+\$85
EV	walnut on ash <input type="checkbox"/>	+\$85
UL	natural maple <input type="checkbox"/>	+\$85
UX	walnut on cherry <input type="checkbox"/>	+\$85

Top/Edge Finish: Opaque Formcoat®

For painted Formcoat® top/edge (P)

8Q	folkstone grey <input type="checkbox"/>	+\$0
91	white <input type="checkbox"/>	+\$0
CL	cool grey neutral <input type="checkbox"/>	+\$0
LU	soft white <input type="checkbox"/>	+\$0
WL	sandstone <input type="checkbox"/>	+\$0
WN	warm grey neutral <input type="checkbox"/>	+\$0

Step 8. Edge Finish

For laminate top/thermoplastic edge (L)

76	light brown walnut <input type="checkbox"/>	+\$0
8Q	folkstone grey <input type="checkbox"/>	+\$0
91	white <input type="checkbox"/>	+\$0
98	studio white <input type="checkbox"/>	+\$0
CL	cool grey neutral <input type="checkbox"/>	+\$0
LA	light ash <input type="checkbox"/>	+\$0
LBA	clear on ash <input type="checkbox"/>	+\$0
LBR	phantom ecru <input type="checkbox"/>	+\$0
LBS	phantom cocoa <input type="checkbox"/>	+\$0
LBU	medium matte walnut <input type="checkbox"/>	+\$0
LBV	warm grey teak <input type="checkbox"/>	+\$0
LBB	oak on ash <input type="checkbox"/>	+\$0
LBC	walnut on ash <input type="checkbox"/>	+\$0
LBD	dark brown walnut <input type="checkbox"/>	+\$0
LBE	medium red walnut <input type="checkbox"/>	+\$0
LBF	neutral twill <input type="checkbox"/>	+\$0
LBG	sarum twill <input type="checkbox"/>	+\$0
LBH	earthen twill <input type="checkbox"/>	+\$0
LBJ	graphite twill <input type="checkbox"/>	+\$0
LBK	pewter mesh <input type="checkbox"/>	+\$0
LBL	steel mesh <input type="checkbox"/>	+\$0
LBM	crisp linen <input type="checkbox"/>	+\$0

Individual Bridge *continued*

Canvas Office Landscape® Work Surfaces

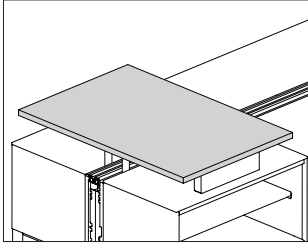
LBN	classic linen <input type="checkbox"/> A	+\$0
LBP	casual linen <input type="checkbox"/> A	+\$0
LBQ	white twill <input type="checkbox"/> A	+\$0
WL	sandstone <input type="checkbox"/> A	+\$0
WN	warm grey neutral <input type="checkbox"/> A	+\$0
HF	inner tone light <input type="checkbox"/> A	+\$0
HM	natural maple <input type="checkbox"/> A	+\$0
HP	light anigre <input type="checkbox"/> A	+\$0
HT	inner tone <input type="checkbox"/> A	+\$0
HX	aged cherry <input type="checkbox"/> A	+\$0
HY	walnut on cherry <input type="checkbox"/> A	+\$0
LU	soft white <input type="checkbox"/> A	+\$0
OG	honey maple <input type="checkbox"/> A	+\$0

For laminate top/universal edge (U)

PLY	plywood edge <input type="checkbox"/> A	+\$50
------------	---	-------

Half Bridge

FDE15.
FDS15.
FDT15.



Product Information

Description

This surface spans the dock and lower storage on both sides of the dock. It has a laminate top and thermoplastic edge, laminate top with a thermoplastic backed plywood edge, veneer top and edge, or painted Formcoat® top and edge. Laminate surfaces are 1 1/4" thick. Painted Formcoat surfaces are 1" thick. Stabilizer brackets included.

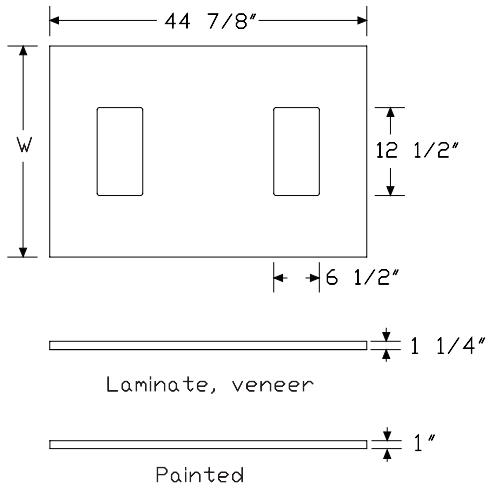
Notes

Bridge is supported by a low credenza with 4" foot and thin top on both sides of the dock wall. Specify the following products separately, 1 for each side of the half bridge:

- Surface support, low credenza, adjustable height (FT299.)
- Surface support, low credenza, fixed height (FT298.)

Power access center cutout option (CAC) accepts the Logic G1000 grommet mounted electrical distributor, 6-receptacle unit (Y1425.D or Y1425.G), ordered separately.

Dimensions



Specification Information

Step 1.

FD A

Step 2. Edge

S15. squared-edge A

T15. thin-edge A

E15. eased-edge A

Step 3. Depth

24 24" deep A

30 30" deep A

Step 4. Width

45 45" wide A

Step 5. Surface Material

For squared-edge (S15.)

L laminate top/thermoplastic edge A

W veneer A

P painted Formcoat® top/edge A

U laminate top/universal edge A

For thin-edge (T15.)

L laminate top/thermoplastic edge A

W veneer A

P painted Formcoat® top/edge A

For eased-edge (E15.)

P painted Formcoat® top/edge A

Prices for Steps 1-5.

	L	W	P	U
FDS15. 24 45	\$415	687	513	415
30 45	\$420	748	583	420
	L	W	P	U
FDT15. 24 45	\$516	718	513	—
30 45	\$566	778	583	—
	L	W	P	U
FDE15. 24 45	—	—	\$513	—
30 45	—	—	\$583	—

Step 6. Power Access Cutout		
NNN	no cutout <input type="checkbox"/>	+\$0
CAC	center cutout <input type="checkbox"/>	+\$75

Step 7.

Top Finish
 For laminate top/thermoplastic edge (L) or laminate top/universal edge (U)

8Q	folkstone grey <input type="checkbox"/>	+\$0
91	white <input type="checkbox"/>	+\$0
98	studio white <input type="checkbox"/>	+\$0
CL	cool grey neutral <input type="checkbox"/>	+\$0
HF	inner tone light <input type="checkbox"/>	+\$0
HT	inner tone <input type="checkbox"/>	+\$0
LU	soft white <input type="checkbox"/>	+\$0
WL	sandstone <input type="checkbox"/>	+\$0
WN	warm grey neutral <input type="checkbox"/>	+\$0
76	light brown walnut <input type="checkbox"/>	+\$0
HM	natural maple <input type="checkbox"/>	+\$0
HP	light anigre <input type="checkbox"/>	+\$0
HX	aged cherry <input type="checkbox"/>	+\$0
HY	walnut on cherry <input type="checkbox"/>	+\$0
LA	light ash <input type="checkbox"/>	+\$0
LBA	clear on ash <input type="checkbox"/>	+\$0
LBR	phantom ecru <input type="checkbox"/>	+\$0
LBS	phantom cocoa <input type="checkbox"/>	+\$0
LBU	medium matte walnut <input type="checkbox"/>	+\$0
LBV	warm grey teak <input type="checkbox"/>	+\$0
LBB	oak on ash <input type="checkbox"/>	+\$0
LBC	walnut on ash <input type="checkbox"/>	+\$0
LBD	dark brown walnut <input type="checkbox"/>	+\$0
LBE	medium red walnut <input type="checkbox"/>	+\$0
OG	honey maple <input type="checkbox"/>	+\$0
LBF	neutral twill <input type="checkbox"/>	+\$0
LBG	sarum twill <input type="checkbox"/>	+\$0
LBH	earthen twill <input type="checkbox"/>	+\$0
LBJ	graphite twill <input type="checkbox"/>	+\$0
LBQ	white twill <input type="checkbox"/>	+\$0
LBK	pewter mesh <input type="checkbox"/>	+\$0
LBL	steel mesh <input type="checkbox"/>	+\$0
LBM	crisp linen <input type="checkbox"/>	+\$0
LBN	classic linen <input type="checkbox"/>	+\$0
LBP	casual linen <input type="checkbox"/>	+\$0

Top/Edge Finish: Wood Veneer

For veneer (W)

2U	light brown walnut <input type="checkbox"/>	+\$85
40	dark brown walnut <input type="checkbox"/>	+\$85
ED	aged cherry <input type="checkbox"/>	+\$85
EK	medium red walnut <input type="checkbox"/>	+\$85
EW	medium matte walnut <input type="checkbox"/>	+\$85
ET	clear on ash <input type="checkbox"/>	+\$85
EU	oak on ash <input type="checkbox"/>	+\$85
EV	walnut on ash <input type="checkbox"/>	+\$85
UL	natural maple <input type="checkbox"/>	+\$85
UX	walnut on cherry <input type="checkbox"/>	+\$85

Top/Edge Finish: Opaque Formcoat®

For painted Formcoat® top/edge (P)

8Q	folkstone grey <input type="checkbox"/>	+\$0
91	white <input type="checkbox"/>	+\$0
CL	cool grey neutral <input type="checkbox"/>	+\$0
LU	soft white <input type="checkbox"/>	+\$0
WL	sandstone <input type="checkbox"/>	+\$0
WN	warm grey neutral <input type="checkbox"/>	+\$0

Step 8. Edge Finish

For laminate top/thermoplastic edge (L)

76	light brown walnut <input type="checkbox"/>	+\$0
8Q	folkstone grey <input type="checkbox"/>	+\$0
91	white <input type="checkbox"/>	+\$0
98	studio white <input type="checkbox"/>	+\$0
CL	cool grey neutral <input type="checkbox"/>	+\$0
LA	light ash <input type="checkbox"/>	+\$0
LBA	clear on ash <input type="checkbox"/>	+\$0
LBR	phantom ecru <input type="checkbox"/>	+\$0
LBS	phantom cocoa <input type="checkbox"/>	+\$0
LBU	medium matte walnut <input type="checkbox"/>	+\$0
LBV	warm grey teak <input type="checkbox"/>	+\$0
LBB	oak on ash <input type="checkbox"/>	+\$0
LBC	walnut on ash <input type="checkbox"/>	+\$0
LBD	dark brown walnut <input type="checkbox"/>	+\$0
LBE	medium red walnut <input type="checkbox"/>	+\$0
LBF	neutral twill <input type="checkbox"/>	+\$0
LBG	sarum twill <input type="checkbox"/>	+\$0
LBH	earthen twill <input type="checkbox"/>	+\$0
LBJ	graphite twill <input type="checkbox"/>	+\$0
LBK	pewter mesh <input type="checkbox"/>	+\$0
LBL	steel mesh <input type="checkbox"/>	+\$0
LBM	crisp linen <input type="checkbox"/>	+\$0

Half Bridge *continued*

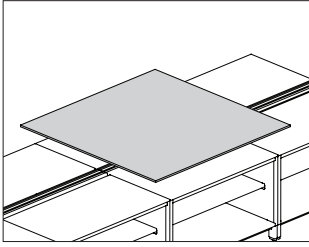
LBN	classic linen <input type="checkbox"/>	+\$0
LBP	casual linen <input type="checkbox"/>	+\$0
LBQ	white twill <input type="checkbox"/>	+\$0
WL	sandstone <input type="checkbox"/>	+\$0
WN	warm grey neutral <input type="checkbox"/>	+\$0
HF	inner tone light <input type="checkbox"/>	+\$0
HM	natural maple <input type="checkbox"/>	+\$0
HP	light anigre <input type="checkbox"/>	+\$0
HT	inner tone <input type="checkbox"/>	+\$0
HX	aged cherry <input type="checkbox"/>	+\$0
HY	walnut on cherry <input type="checkbox"/>	+\$0
LU	soft white <input type="checkbox"/>	+\$0
OG	honey maple <input type="checkbox"/>	+\$0

For laminate top/universal edge (U)

PLY	plywood edge <input type="checkbox"/>	+\$50
------------	---------------------------------------	-------

Team Bridge

FDE16.
FDS16.
FDT16.



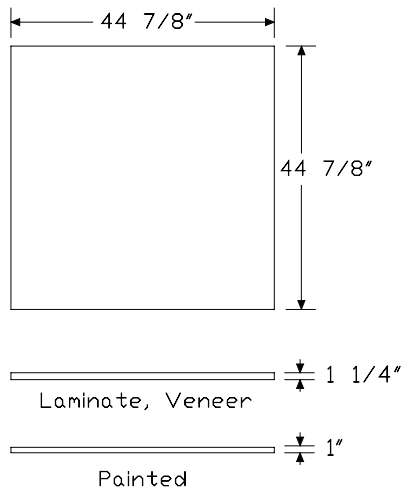
Canvas Office Landscape® Work Surfaces

Product Information

Description
This surface spans the dock and lower storage on both sides of the dock. It has a laminate top and thermoplastic edge, laminate top with a thermoplastic backed plywood edge, veneer top and edge, or painted Formcoat® top and edge. Laminate surfaces are 1 1/4" thick. Painted Formcoat surfaces are 1" thick. Stabilizer brackets included.

Notes
Bridge is supported by a low credenza with 4" foot and thin top on both sides of the dock wall. Specify the following products separately, 1 for each side of the team bridge:
 • Surface support, low credenza, adjustable height (FT299.)
 • Surface support, low credenza, fixed height (FT298.)

Dimensions



Specification Information

Step 1.

FD A

Step 2. Edge

S16. squared-edge A

T16. thin-edge A

E16. eased-edge A

Step 3. Depth

45 45" deep A

Step 4. Width

45 45" wide A

Step 5. Surface Material

For squared-edge (S16.)

L laminate top/thermoplastic edge A

W veneer A

P painted Formcoat® top/edge A

U laminate top/universal edge A

For thin-edge (T16.)

L laminate top/thermoplastic edge A

W veneer A

P painted Formcoat® top/edge A

For eased-edge (E16.)

P painted Formcoat® top/edge A

Prices for Steps 1-5.

	L	W	P	U
FDS16. 45 45	\$566	925	842	556

	L	W	P	U
FDT16. 45 45	\$564	938	842	—

	L	W	P	U
FDE16. 45 45	—	—	\$842	—

Step 6. Power Access Cutout

NNN no cutout A + \$0

Step 7.

Top Finish

For laminate top/thermoplastic edge (L) or laminate top/universal edge (U)

8Q	folkstone grey <input type="checkbox"/>	+\$0
91	white <input type="checkbox"/>	+\$0
98	studio white <input type="checkbox"/>	+\$0
CL	cool grey neutral <input type="checkbox"/>	+\$0
HF	inner tone light <input type="checkbox"/>	+\$0
HT	inner tone <input type="checkbox"/>	+\$0
LU	soft white <input type="checkbox"/>	+\$0
WL	sandstone <input type="checkbox"/>	+\$0
WN	warm grey neutral <input type="checkbox"/>	+\$0
76	light brown walnut <input type="checkbox"/>	+\$0
HM	natural maple <input type="checkbox"/>	+\$0
HP	light anigre <input type="checkbox"/>	+\$0
HX	aged cherry <input type="checkbox"/>	+\$0
HY	walnut on cherry <input type="checkbox"/>	+\$0
LA	light ash <input type="checkbox"/>	+\$0
LBA	clear on ash <input type="checkbox"/>	+\$0
LBR	phantom ecru <input type="checkbox"/>	+\$0
LBS	phantom cocoa <input type="checkbox"/>	+\$0
LBU	medium matte walnut <input type="checkbox"/>	+\$0
LBV	warm grey teak <input type="checkbox"/>	+\$0
LBB	oak on ash <input type="checkbox"/>	+\$0
LBC	walnut on ash <input type="checkbox"/>	+\$0
LBD	dark brown walnut <input type="checkbox"/>	+\$0
LBE	medium red walnut <input type="checkbox"/>	+\$0
OG	honey maple <input type="checkbox"/>	+\$0
LBF	neutral twill <input type="checkbox"/>	+\$0
LBG	sarum twill <input type="checkbox"/>	+\$0
LBH	earthen twill <input type="checkbox"/>	+\$0
LBJ	graphite twill <input type="checkbox"/>	+\$0
LBQ	white twill <input type="checkbox"/>	+\$0
LBK	pewter mesh <input type="checkbox"/>	+\$0
LBL	steel mesh <input type="checkbox"/>	+\$0
LBM	crisp linen <input type="checkbox"/>	+\$0
LBN	classic linen <input type="checkbox"/>	+\$0
LBP	casual linen <input type="checkbox"/>	+\$0

Top/Edge Finish: Wood Veneer

For veneer (W)

2U	light brown walnut <input type="checkbox"/>	+\$85
40	dark brown walnut <input type="checkbox"/>	+\$85
ED	aged cherry <input type="checkbox"/>	+\$85
EK	medium red walnut <input type="checkbox"/>	+\$85
EW	medium matte walnut <input type="checkbox"/>	+\$85
ET	clear on ash <input type="checkbox"/>	+\$85
EU	oak on ash <input type="checkbox"/>	+\$85
EV	walnut on ash <input type="checkbox"/>	+\$85
UL	natural maple <input type="checkbox"/>	+\$85
UX	walnut on cherry <input type="checkbox"/>	+\$85

Top/Edge Finish: Opaque Formcoat®

For painted Formcoat® top/edge (P)

8Q	folkstone grey <input type="checkbox"/>	+\$0
91	white <input type="checkbox"/>	+\$0
CL	cool grey neutral <input type="checkbox"/>	+\$0
LU	soft white <input type="checkbox"/>	+\$0
WL	sandstone <input type="checkbox"/>	+\$0
WN	warm grey neutral <input type="checkbox"/>	+\$0

Step 8. Edge Finish

For laminate top/thermoplastic edge (L)

76	light brown walnut <input type="checkbox"/>	+\$0
8Q	folkstone grey <input type="checkbox"/>	+\$0
91	white <input type="checkbox"/>	+\$0
98	studio white <input type="checkbox"/>	+\$0
CL	cool grey neutral <input type="checkbox"/>	+\$0
LA	light ash <input type="checkbox"/>	+\$0
LBA	clear on ash <input type="checkbox"/>	+\$0
LBR	phantom ecru <input type="checkbox"/>	+\$0
LBS	phantom cocoa <input type="checkbox"/>	+\$0
LBU	medium matte walnut <input type="checkbox"/>	+\$0
LBV	warm grey teak <input type="checkbox"/>	+\$0
LBB	oak on ash <input type="checkbox"/>	+\$0
LBC	walnut on ash <input type="checkbox"/>	+\$0
LBD	dark brown walnut <input type="checkbox"/>	+\$0
LBE	medium red walnut <input type="checkbox"/>	+\$0
LBF	neutral twill <input type="checkbox"/>	+\$0
LBG	sarum twill <input type="checkbox"/>	+\$0
LBH	earthen twill <input type="checkbox"/>	+\$0
LBJ	graphite twill <input type="checkbox"/>	+\$0
LBK	pewter mesh <input type="checkbox"/>	+\$0
LBL	steel mesh <input type="checkbox"/>	+\$0
LBM	crisp linen <input type="checkbox"/>	+\$0

Team Bridge *continued*

Canvas Office Landscape® Work Surfaces

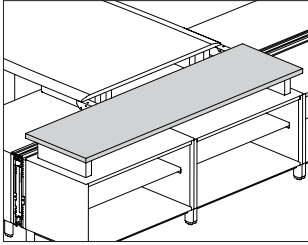
LBN	classic linen <input type="checkbox"/> A	+\$0
LBP	casual linen <input type="checkbox"/> A	+\$0
LBQ	white twill <input type="checkbox"/> A	+\$0
WL	sandstone <input type="checkbox"/> A	+\$0
WN	warm grey neutral <input type="checkbox"/> A	+\$0
HF	inner tone light <input type="checkbox"/> A	+\$0
HM	natural maple <input type="checkbox"/> A	+\$0
HP	light anigre <input type="checkbox"/> A	+\$0
HT	inner tone <input type="checkbox"/> A	+\$0
HX	aged cherry <input type="checkbox"/> A	+\$0
HY	walnut on cherry <input type="checkbox"/> A	+\$0
LU	soft white <input type="checkbox"/> A	+\$0
OG	honey maple <input type="checkbox"/> A	+\$0

For laminate top/universal edge (U)

PLY	plywood edge <input type="checkbox"/> A	+\$50
------------	---	-------

Secondary Surface

FDE10.
FDS10.
FDT10.



Product Information

Description

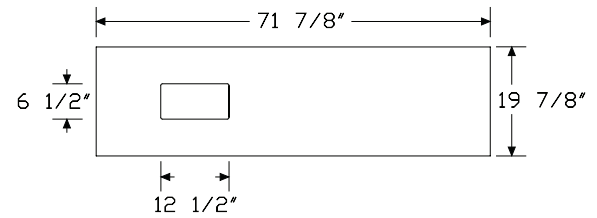
This surface spans and is supported by Canvas low storage. It has a laminate top and thermoplastic edge, laminate top with a thermoplastic backed plywood edge, veneer top and edge, or painted Formcoat® top and edge. Laminate surfaces are 1 1/4" thick. Painted Formcoat surfaces are 1" thick.

Notes

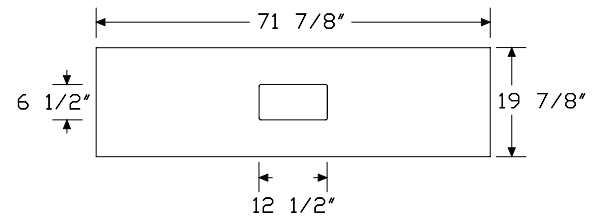
Surface is supported by a low credenza with 4" foot and thin top. Specify 2 surface support, low credenza, adjustable height (FT299.), or 2 surface support, low credenza, fixed height (FT298.), 1 for each end of the secondary surface.

Power access cutout options (CAC, LAC, RAC) accept the Logic G1000 grommet mounted electrical distributor, 6-receptacle unit (Y1425.D or Y1425.G), ordered separately.

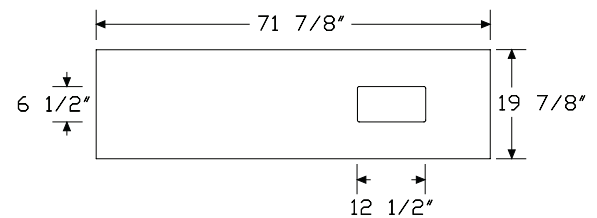
Dimensions



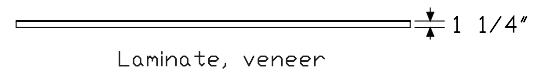
Left cutout



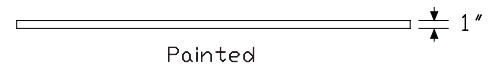
Center cutout



Right cutout



Laminate, veneer



Painted

Secondary Surface *continued*

Specification Information

Step 1.

FD

Step 2. Edge

S10. squared-edge

T10. thin-edge

E10. eased-edge

Step 3. Depth

20 20" deep

Step 4. Width

36 36" wide

72 72" wide

Step 5. Surface Material

For squared-edge (S10.)

L laminate top/thermoplastic edge

W veneer

P painted Formcoat® top/edge

U laminate top/universal edge

For thin-edge (T10.)

L laminate top/thermoplastic edge

W veneer

P painted Formcoat® top/edge

For eased-edge (E10.)

P painted Formcoat® top/edge

Step 6. Attachment

S for use with low storage

Prices for Steps 1-6.

	LS	WS	PS	US
FDS10. 20 36	\$217	489	473	217
72	\$429	961	817	429
FDT10. 20 36	\$303	518	493	—
72	\$559	1048	897	—
FDE10. 20 36	—	—	\$493	—
72	—	—	\$897	—

Step 7. Power Access Cutout

For 36" wide (36)

NNN no cutout +\$0

CAC center cutout +\$75

For 72" wide (72)

NNN no cutout +\$0

CAC center cutout +\$75

LAC left cutout +\$75

RAC right cutout +\$75

Step 8.

Top Finish

For laminate top/thermoplastic edge (L) or laminate top/universal edge (U)

8Q folkstone grey +\$0

91 white +\$0

98 studio white +\$0

CL cool grey neutral +\$0

HF inner tone light +\$0

HT inner tone +\$0

LU soft white +\$0

WL sandstone +\$0

WN warm grey neutral +\$0

76 light brown walnut +\$0

HM natural maple +\$0

HP light anigre +\$0

HX aged cherry +\$0

HY walnut on cherry +\$0

LA light ash +\$0

LBA clear on ash +\$0

LBR phantom ecru +\$0

LBS phantom cocoa +\$0

LBU medium matte walnut +\$0

LBV warm grey teak +\$0

LBB oak on ash +\$0

LBC walnut on ash +\$0

LBD dark brown walnut +\$0

LBE medium red walnut +\$0

OG honey maple +\$0

LBF neutral twill +\$0

LBG sarum twill +\$0

LBH earthen twill +\$0

LBJ graphite twill +\$0

LBQ white twill +\$0

Secondary Surface *continued*

LBK	pewter mesh <input type="checkbox"/>	+\$0
LBL	steel mesh <input type="checkbox"/>	+\$0
LBM	crisp linen <input type="checkbox"/>	+\$0
LBN	classic linen <input type="checkbox"/>	+\$0
LBP	casual linen <input type="checkbox"/>	+\$0

Top/Edge Finish: Wood Veneer

For veneer (W)

2U	light brown walnut <input type="checkbox"/>	+\$85
40	dark brown walnut <input type="checkbox"/>	+\$85
ED	aged cherry <input type="checkbox"/>	+\$85
EK	medium red walnut <input type="checkbox"/>	+\$85
EW	medium matte walnut <input type="checkbox"/>	+\$85
ET	clear on ash <input type="checkbox"/>	+\$85
EU	oak on ash <input type="checkbox"/>	+\$85
EV	walnut on ash <input type="checkbox"/>	+\$85
UL	natural maple <input type="checkbox"/>	+\$85
UX	walnut on cherry <input type="checkbox"/>	+\$85

Top/Edge Finish: Opaque Formcoat®

For painted Formcoat® top/edge (P)

8Q	folkstone grey <input type="checkbox"/>	+\$0
91	white <input type="checkbox"/>	+\$0
CL	cool grey neutral <input type="checkbox"/>	+\$0
LU	soft white <input type="checkbox"/>	+\$0
WL	sandstone <input type="checkbox"/>	+\$0
WN	warm grey neutral <input type="checkbox"/>	+\$0

Step 9. Edge Finish

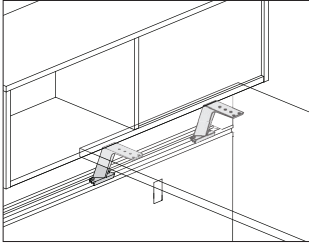
For laminate top/thermoplastic edge (L)

76	light brown walnut <input type="checkbox"/>	+\$0
8Q	folkstone grey <input type="checkbox"/>	+\$0
91	white <input type="checkbox"/>	+\$0
98	studio white <input type="checkbox"/>	+\$0
CL	cool grey neutral <input type="checkbox"/>	+\$0
LA	light ash <input type="checkbox"/>	+\$0
LBA	clear on ash <input type="checkbox"/>	+\$0
LBR	phantom ecru <input type="checkbox"/>	+\$0
LBS	phantom cocoa <input type="checkbox"/>	+\$0
LBU	medium matte walnut <input type="checkbox"/>	+\$0
LBV	warm grey teak <input type="checkbox"/>	+\$0
LBB	oak on ash <input type="checkbox"/>	+\$0
LBC	walnut on ash <input type="checkbox"/>	+\$0
LBD	dark brown walnut <input type="checkbox"/>	+\$0
LBE	medium red walnut <input type="checkbox"/>	+\$0
LBF	neutral twill <input type="checkbox"/>	+\$0

LBG	sarum twill <input type="checkbox"/>	+\$0
LBH	earthen twill <input type="checkbox"/>	+\$0
LBJ	graphite twill <input type="checkbox"/>	+\$0
LBK	pewter mesh <input type="checkbox"/>	+\$0
LBL	steel mesh <input type="checkbox"/>	+\$0
LBM	crisp linen <input type="checkbox"/>	+\$0
LBN	classic linen <input type="checkbox"/>	+\$0
LBP	casual linen <input type="checkbox"/>	+\$0
LBQ	white twill <input type="checkbox"/>	+\$0
WL	sandstone <input type="checkbox"/>	+\$0
WN	warm grey neutral <input type="checkbox"/>	+\$0
HF	inner tone light <input type="checkbox"/>	+\$0
HM	natural maple <input type="checkbox"/>	+\$0
HP	light anigre <input type="checkbox"/>	+\$0
HT	inner tone <input type="checkbox"/>	+\$0
HX	aged cherry <input type="checkbox"/>	+\$0
HY	walnut on cherry <input type="checkbox"/>	+\$0
LU	soft white <input type="checkbox"/>	+\$0
OG	honey maple <input type="checkbox"/>	+\$0

For laminate top/universal edge (U)

PLY	plywood edge <input type="checkbox"/>	+\$50
------------	---------------------------------------	-------



Product Information

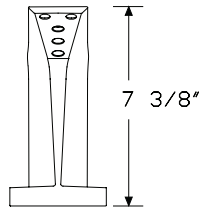
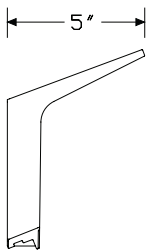
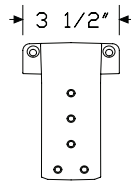
Description

This bracket supports and attaches a work surface to the dock and positions the surface at 28 1/2" high. Surfaces can be placed parallel or perpendicular to the dock. Includes 1 tether and attachment hardware.

Notes

For surfaces up to and including 48" wide, 2 tethers are required.
 For surfaces 54" wide and wider, 3 tethers are required.
 Dock to surface tethers are always used in conjunction with floor supports such as the universal post leg (FT2B2., FD2B2.), ordered separately.

Dimensions



Specification Information

Step 1.

FD290. [A] \$101

Step 2. Surface Finish

8Q folkstone grey [A] +\$0
98 studio white [A] +\$0
WL sandstone [A] +\$0

Bright Sand Texture Paint

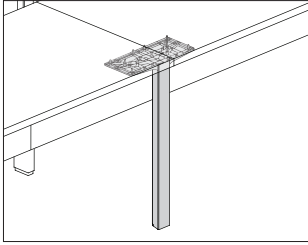
91 white [A] +\$0
G1 graphite [A] +\$0

Metallic Paint

MS metallic silver [A] +\$5

Universal Post Leg, Shared

FD2B2.

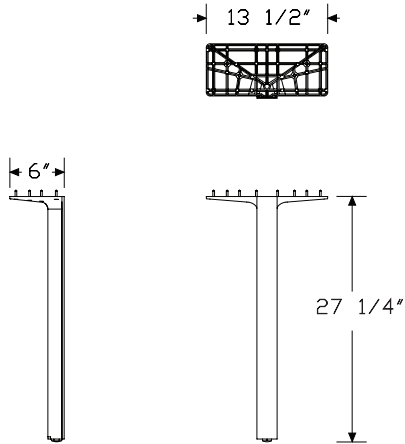


Product Information

Description

This single leg supports the front corner edges of 2 adjacent surfaces. It has 2" of leveling adjustment. Attachment hardware included.

Dimensions



Specification Information

Step 1.

FD2B2. A

Step 2. Leg Type

F fixed height A

Step 3. Position

S shared, single leg A

Prices for Steps 1-3.

	S
FD2B2. F	\$475

Step 4. Leg Body Finish

Bright Sand Texture Paint

91 white <input type="checkbox"/> A	+\$0
G1 graphite <input type="checkbox"/> A	+\$0

Metallic Paint

MS metallic silver <input type="checkbox"/> A	+\$5
--	------

Step 5. Leg Face Finish

Smooth Paint

8Q folkstone grey <input type="checkbox"/> A	+\$0
91 white <input type="checkbox"/> A	+\$0
98 studio white <input type="checkbox"/> A	+\$0
G2 graphite satin <input type="checkbox"/> A	+\$0
WL sandstone <input type="checkbox"/> A	+\$0

Metallic Paint

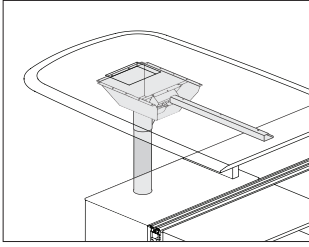
MS metallic silver <input type="checkbox"/> A	+\$5
--	------

Anodized

AN clear anodized aluminum <input type="checkbox"/> A	+\$10
--	-------

Column Kit

FD600.



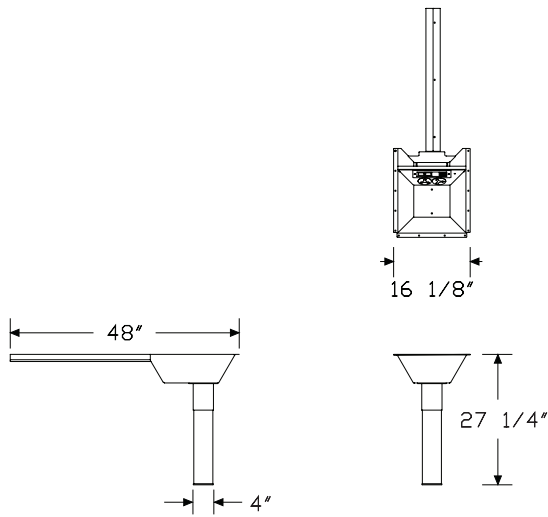
Canvas Office Landscape® Work Surfaces

Product Information

Description
 This column kit attaches to and supports the end of a peninsula surface (FDE60., FDS60., FDT60.). It has a 10' power cord with 3-prong plug end. Column kit includes a technology well that has 2 power receptacles and 2 data openings. Glides allow 2" of leveling adjustment.

Notes
 Order peninsula surface (FDx60.) separately.
 Access zone cover finish matches specified column surface finish.

Dimensions



Specification Information

Step 1.

FD600.

Step 2. Height

29 seated height

Step 3. Application

SS storage supported - Canvas credenza

DS dock supported - Canvas dock

Prices for Steps 1-3.

	SS	DS
FD600. 29	\$2222	2222

Step 4. Tech Lid Finish

8Q	folkstone grey <input type="checkbox"/>	+\$0
91	white <input type="checkbox"/>	+\$0
98	studio white <input type="checkbox"/>	+\$0
CL	cool grey neutral <input type="checkbox"/>	+\$0
G2	graphite satin <input type="checkbox"/>	+\$0
LU	soft white <input type="checkbox"/>	+\$0
WL	sandstone <input type="checkbox"/>	+\$0
WN	warm grey neutral <input type="checkbox"/>	+\$0

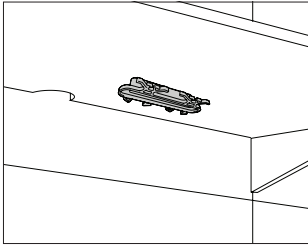
Step 5. Column/Bin Finish

Bright Sand Texture Paint

91	white <input type="checkbox"/>	+\$0
CL	cool grey neutral <input type="checkbox"/>	+\$0
G1	graphite <input type="checkbox"/>	+\$0
WN	warm grey neutral <input type="checkbox"/>	+\$0
8Q	folkstone grey <input type="checkbox"/>	+\$0
98	studio white <input type="checkbox"/>	+\$0
WL	sandstone <input type="checkbox"/>	+\$0
CN	metallic champagne <input type="checkbox"/>	+\$5
EH	metallic bronze <input type="checkbox"/>	+\$5
MS	metallic silver <input type="checkbox"/>	+\$5

Cord Cleat

G1331.

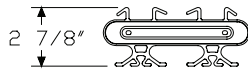
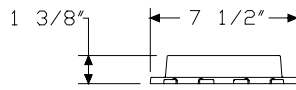


Product Information

Description

This cleat attaches to the underside of a work surface or table to manage cords and cables. Finish is cool grey neutral. Package contains 2.

Dimensions



Specification Information

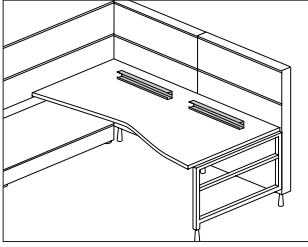
Step 1.

G1331.

\$20

Cable Management Trough

FT199.



Product Information

Description

This trough attaches along the underside of a Canvas surface to hold and manage power/data cables. It includes two 14"-wide troughs. Finish is black. Attachment hardware is included.

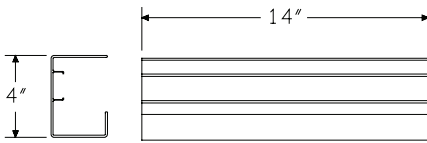
Specification Information

Step 1.

FT199.

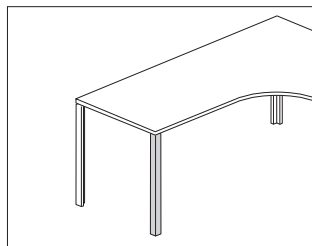
\$67

Dimensions



Support Leg, Post

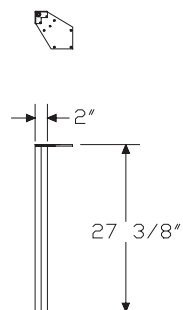
FV689.



Product Information

Description
 This single painted leg supports a desk or return and includes a glide with 1 1/2" leveling range. Specify 2 legs to support one end of a surface. Attachment hardware included.

Dimensions



Specification Information

Step 1.
FV689.P \$158

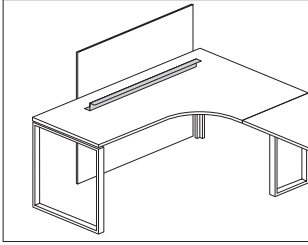
Step 2. Surface Finish

Bright Sand Texture Paint		
91	white	+\$0
CL	cool grey neutral	+\$0
G1	graphite	+\$0
WN	warm grey neutral	+\$0
Metallic Paint		
CN	metallic champagne	+\$10
EH	metallic bronze	+\$10
MS	metallic silver	+\$10

Canvas Office Landscape® Work Surfaces

Cable Manager

FV695.



Product Information

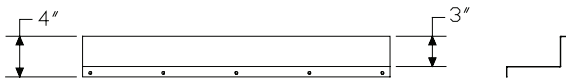
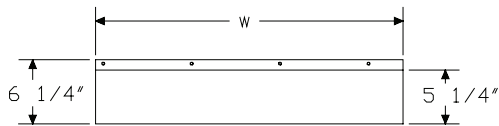
Description

This cable manager attaches beneath a surface to provide routing of cables and cords at the back edge of a desk or return. Attachment hardware included.

Notes

When using cable manager with privacy panel or screen, specify cable manager width 12" less than privacy panel or screen width.

Dimensions



Specification Information

Step 1.

FV695.

Step 2. Width

18	18" wide
24	24" wide
30	30" wide
36	36" wide
42	42" wide
48	48" wide

Prices for Steps 1-2.

FV695. 18	\$65
24	\$71
30	\$77
36	\$82
42	\$89
48	\$97

Step 3. Surface Finish

Bright Sand Texture Paint

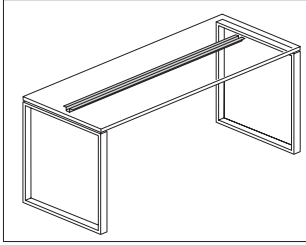
91	white	+\$0
CL	cool grey neutral	+\$0
G1	graphite	+\$0
WN	warm grey neutral	+\$0
8Q	folkstone grey	+\$0
98	studio white	+\$0
WL	sandstone	+\$0

Metallic Paint

CN	metallic champagne	+\$10
EH	metallic bronze	+\$10
MS	metallic silver	+\$10

Stiffener

FV696.



Product Information

Description

This stiffener is used to add additional stiffness to a Canvas freestanding surface, Canvas or Ethospace® surface-attached surface, peninsula or any frame-attached surface when a center cantilever cannot be used. Attachment hardware included.

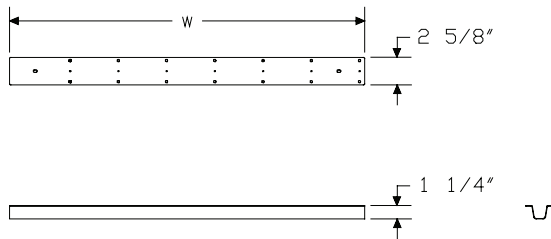
Notes

Canvas and Ethospace laminate or veneer surfaces 54" wide or wider and painted formcoat surfaces 48" wide or wider that cannot use a center cantilever require stiffener(s).

See Canvas Office Landscape® Planning Guide or Ethospace Work Surface Planning Guide for specific stiffener guidelines.

Stiffener hangs below surface and is 1 1/4" high.

Dimensions



Specification Information

Step 1.

FV696.

Step 2. Width

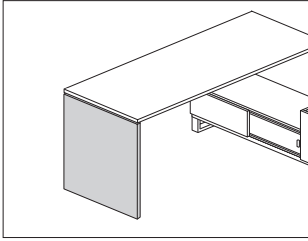
34	33 7/8" wide
39	38 5/8" wide
43	43 1/4" wide
48	48" wide
57	57 3/8" wide
62	62 1/8" wide
67	66 3/4" wide
71	71 1/2" wide
81	80 7/8" wide

Prices for Steps 1-2.

FV696. 34	\$69
39	\$71
43	\$71
48	\$71
57	\$71
62	\$71
67	\$71
71	\$71
81	\$71

Closed Support Leg

FV2E2.



Canvas Office Landscape® Work Surfaces

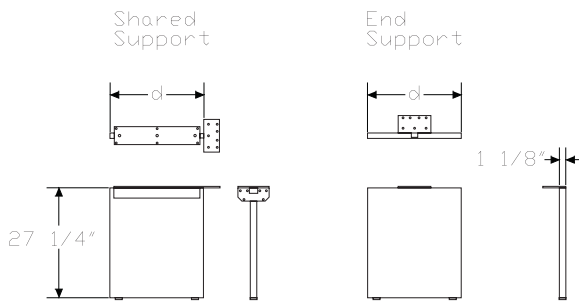
Product Information

Description
 This individual solid panel leg supports 1 end of a surface or joins 2 surfaces end-to-end, providing shared support at the surface joint. It is available as laminate or veneer and has leveling glides with 1/2" of adjustment. Attachment hardware included.

Notes

For additional product options, see Vary Easy Program® in Appendices. Grain direction is vertical on wood-grain laminate and veneer.
 When leg is supporting the end of a squared- or eased-edge surface, depth of support leg must match depth of surface. Support leg does not work with thin-edge surfaces in this position.
 When leg is supporting the joint between 2 surfaces, specify leg as follows:
 Surface Depth—Leg Depth
 24" deep surface—12" deep leg
 30" deep surface—24" deep leg
 36" deep surface—24" deep leg

Dimensions



Specification Information

Step 1.

FV2E2.

Step 2. Surface Edge Type

S for squared edge surface

Step 3. Depth

- 2A** 12" deep, shared
- 2B** 24" deep, shared
- 24** 24" deep
- 30** 30" deep
- 36** 36" deep

Step 4. Leg Type

F fixed height

Step 5. Surface Material

- L** laminate
- W** veneer **A**

Prices for Steps 1-5.

		FL	FW
FV2E2.	S 2A	\$173	450
	2B	\$285	591
	24	\$285	591
	30	\$290	608
	36	\$295	797

Step 6. Surface Finish

Solid-Color Laminate

For laminate (L)

8Q	folkstone grey	+\$0
91	white	+\$0
98	studio white	+\$0
CL	cool grey neutral	+\$0
LU	soft white	+\$0
MT	medium tone <input type="checkbox"/> A	+\$0
WL	sandstone	+\$0
WN	warm grey neutral	+\$0

Linen Laminate

For laminate (L)

LBM	crisp linen	+\$0
LBN	classic linen	+\$0
LBP	casual linen	+\$0

Closed Support Leg *continued*

Mesh Laminate

For laminate (L)

LBK	pewter mesh	+\$0
LBL	steel mesh	+\$0

Twill Laminate

For laminate (L)

LBF	neutral twill	+\$0
LBG	sarum twill	+\$0
LBH	earthen twill	+\$0
LBJ	graphite twill	+\$0
LBQ	white twill	+\$0

Wood-Grain Laminate

For laminate (L)

HM	natural maple	+\$0
HP	light anigre	+\$0
LBA	clear on ash	+\$0
LBR	phantom ecru	+\$0
LBS	phantom cocoa	+\$0
LBU	medium matte walnut	+\$0
LBV	warm grey teak	+\$0
LBB	oak on ash	+\$0
LBC	walnut on ash	+\$0
LBD	dark brown walnut	+\$0
LBE	medium red walnut	+\$0
76	light brown walnut	+\$0
HX	aged cherry	+\$0
HY	walnut on cherry	+\$0

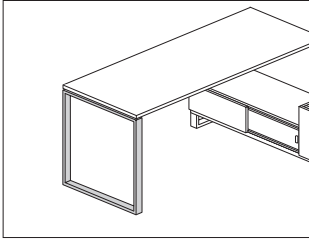
Wood Veneer

For veneer (W)

2U	light brown walnut A	+\$85
40	dark brown walnut A	+\$85
ED	aged cherry A	+\$85
EK	medium red walnut A	+\$85
EW	medium matte walnut A	+\$85
ET	clear on ash A	+\$85
EU	oak on ash A	+\$85
EV	walnut on ash A	+\$85
UL	natural maple A	+\$85
UX	walnut on cherry A	+\$85

Square Open Support Leg

FV2D2.



Canvas Office Landscape® Work Surfaces

Product Information

Description

This individual leg supports 1 end of a surface or joins 2 surfaces end-to-end, providing shared support at the surface joint. It has leveling glides with 1½" of adjustment. Attachment hardware included.

Notes

When leg is supporting the end of a squared- or eased-edge surface, depth of support leg must match depth of surface. Support leg does not work with thin-edge surfaces in this position.

When leg is supporting the joint between 2 surfaces, specify leg as follows:

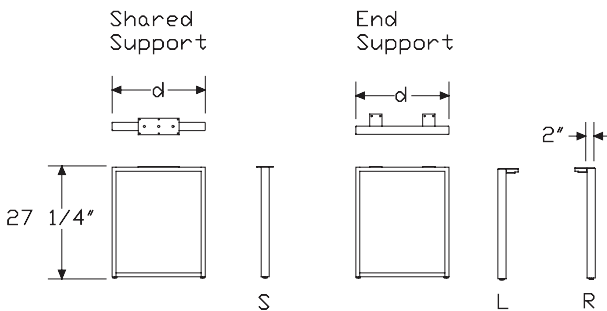
Surface Depth—Leg Depth

24" deep surface—12" deep leg

30" deep surface—24" deep leg

36" deep surface—24" deep leg

Dimensions



Specification Information

Step 1.

FV2D2.

Step 2. Surface Edge Type

S for squared edge surface

Step 3. Depth

2A 12" deep, shared

2B 24" deep, shared

24 24" deep

30 30" deep

36 36" deep

Step 4. Leg Type

F fixed height

Step 5. Position

For 12" deep, shared (2A) or 24" deep, shared (2B)

S shared

For 24" deep (24), 30" deep (30), or 36" deep (36)

L left

R right

Prices for Steps 1-5.

		FL	FS	FR
FV2D2. S	2A	—	\$218	—
	2B	—	\$337	—
	24	\$337	—	337
	30	\$346	—	346
	36	\$356	—	356

Step 6. Surface Finish

8Q	folkstone grey			+\$0
98	studio white			+\$0
WL	sandstone			+\$0

Bright Sand Texture Paint

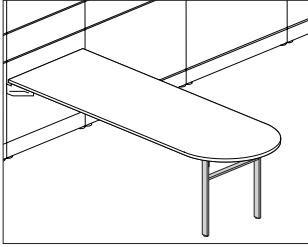
91	white			+\$0
CL	cool grey neutral			+\$0
G1	graphite			+\$0
WN	warm grey neutral			+\$0

Square Open Support Leg *continued*

Metallic Paint

CN	metallic champagne	+\$10
EH	metallic bronze	+\$10
MS	metallic silver	+\$10

Open Support Leg, Architectural Foot, Peninsula/D-Shaped Surface Attached FT2A2.

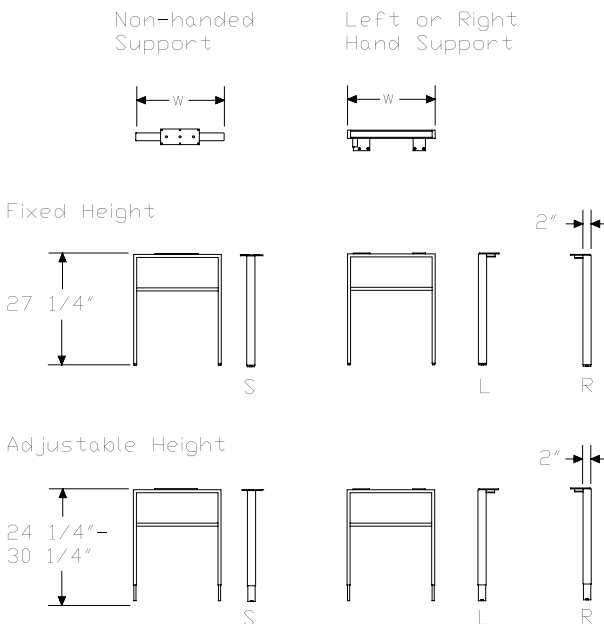


Product Information

Description
 This support leg attaches to 1 end of a peninsula or D-shaped surface. It can be also be used to create a freestanding peninsula desk. The fixed-height leg has a 2" leveling range, allowing a surface height of 28½"-30½". The adjustable-height leg is adjustable over a 6" range, allowing a surface height of 25½"-31½". Attachment hardware included.

Notes
 For D-shaped surface, specify support leg with inset option (A).
 For peninsula surface attached to a frame or wall strips, specify support leg with inset option (A) or outbound option (B).
 For peninsula supported by a low credenza, specify support leg with outbound option (B).
 To create a freestanding peninsula desk, specify 2 support legs; 1 with inset option (A) and 1 with outbound option (B).

Dimensions



Specification Information

Step 1.

FT2A2.

Step 2. Leg Position

- A** inset
- B** outbound

Step 3. Surface Dimension

For inset (A)

- 24** for 24"-deep peninsula
- 30** for 30"-deep peninsula
- 36** for 36"-deep peninsula
- 51** for 51"-wide d-shaped
- 63** for 63"-wide d-shaped

For outbound (B)

- 24** for 24"-deep peninsula
- 30** for 30"-deep peninsula
- 36** for 36"-deep peninsula

Step 4. Leg Type

- F** fixed height
- A** adjustable height

Step 5. Position

For inset (A)

- S** non-handed support

For outbound (B)

- L** left-hand support
- R** right-hand support

Prices for Steps 1-5.

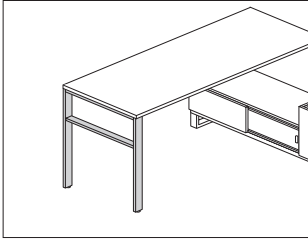
		FL	FS	FR	AL	AS	AR
FT2A2. A	24	—	\$400	—	—	479	—
	30	—	\$421	—	—	500	—
	36	—	\$442	—	—	521	—
	51	—	\$400	—	—	479	—
	63	—	\$421	—	—	500	—
B	24	\$400	—	400	479	—	479
	30	\$421	—	421	500	—	500
	36	\$442	—	442	521	—	521

Open Support Leg, Architectural
 Foot, Peninsula/D-Shaped
 Surface Attached *continued*

Step 6. Surface Finish		
8Q	folkstone grey <input type="checkbox"/> A	+\$0
98	studio white <input type="checkbox"/> A	+\$0
WL	sandstone <input type="checkbox"/> A	+\$0
Bright Sand Texture Paint		
91	white	+\$0
CL	cool grey neutral	+\$0
G1	graphite	+\$0
WN	warm grey neutral	+\$0
Metallic Paint		
CN	metallic champagne	+\$10
EH	metallic bronze	+\$10
MS	metallic silver	+\$10

Open Support Leg, Architectural Foot

FV2A2.



Canvas Office Landscape® Work Surfaces

Product Information

Description

This individual leg supports 1 end of a surface or joins 2 surfaces end-to-end, providing shared support at the surface joint. The fixed height leg has a 2" leveling range allowing a surface height of 28½"-30½". The adjustable height leg has a 6" adjustment range in 1" increments allowing a surface height of 25½"-31½". Attachment hardware included.

Notes

When leg is supporting the end of a surface, depth of support leg must match depth of surface.

When leg is supporting the joint between 2 surfaces, specify leg as follows:

Surface Depth—Leg Depth

- 24" deep surface—12" deep leg
- 30" deep surface—24" deep leg
- 36" deep surface—24" deep leg

Dimensions

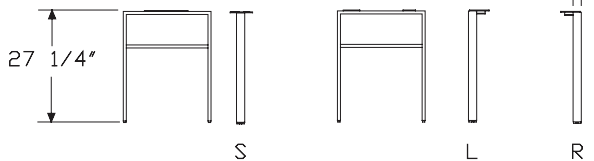
Shared Support



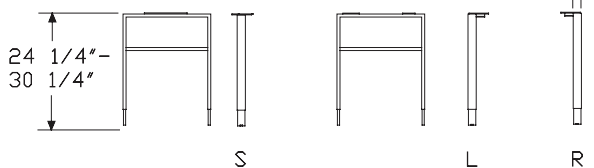
End Support



Fixed Height



Adjustable Height



Specification Information

Step 1.

FV2A2.

Step 2. Depth

- 2A** 12" deep, shared
- 2B** 24" deep, shared
- 24** 24" deep
- 30** 30" deep
- 36** 36" deep

Step 3. Leg Type

- F** fixed height
- A** adjustable height

Step 4. Position

For 12" deep, shared (2A) or 24" deep, shared (2B)

- S** shared

For 24" deep (24), 30" deep (30), or 36" deep (36)

- L** left
- R** right

Prices for Steps 1-4.

	L	S	R
FV2A2. 2A F	—	\$262	—
A	—	\$346	—
2B F	—	\$431	—
A	—	\$515	—
24 F	\$431	—	431
A	\$515	—	515
30 F	\$453	—	453
A	\$538	—	538
36 F	\$476	—	476
A	\$560	—	560

Step 5. Surface Finish

8Q	folkstone grey	+\$0
98	studio white	+\$0
WL	sandstone	+\$0

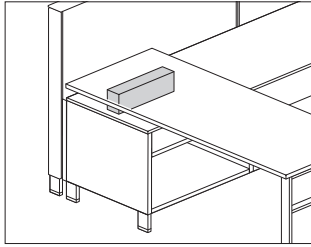
Bright Sand Texture Paint

91	white	+\$0
CL	cool grey neutral	+\$0
G1	graphite	+\$0
WN	warm grey neutral	+\$0

Open Support Leg, Architectural Foot *continued*

Metallic Paint		
CN	metallic champagne	+\$10
EH	metallic bronze	+\$10
MS	metallic silver	+\$10

Surface Support, Low Credenza, Fixed Height FT298.



Product Information

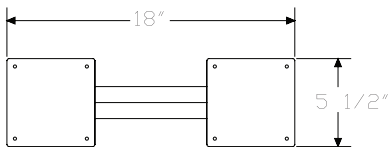
Description

This support allows a low credenza to support 1 end of a surface and places the surface at 28 1/2" high. Attachment hardware included.

Notes

- Support heights are:
- 5 1/8" high for storage type (M)
 - 6 7/8" high for storage type (S)
 - 6" high for storage type (R)
 - 4 1/4" high for storage type (W)

Dimensions



Canvas Office Landscape® Work Surfaces

Specification Information

Step 1.

FT298.

Step 2. Storage Type

- M** for use with thin top low credenza with 4" high foot
- S** for use with thin top low credenza with 2 1/4" high base
- R** for use with 1 1/4" top low credenza with 2 1/4" high base
- W** for use with 1 1/4" top low credenza with 4" high foot

Prices for Steps 1-2.

FT298. M	\$187
S	\$187
R	\$187
W	\$187

Step 3. Surface Finish

Bright Sand Texture Paint

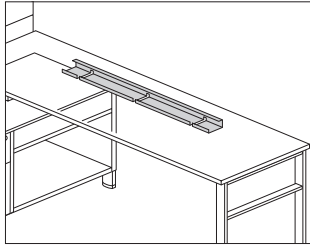
91	white	+\$0
CL	cool grey neutral	+\$0
G1	graphite	+\$0
WN	warm grey neutral	+\$0
8Q	folkstone grey <input type="checkbox"/> A	+\$0
98	studio white <input type="checkbox"/> A	+\$0
WL	sandstone <input type="checkbox"/> A	+\$0

Metallic Paint

CN	metallic champagne	+\$10
EH	metallic bronze	+\$10
MS	metallic silver	+\$10

Cable Management Channel

FT19C.

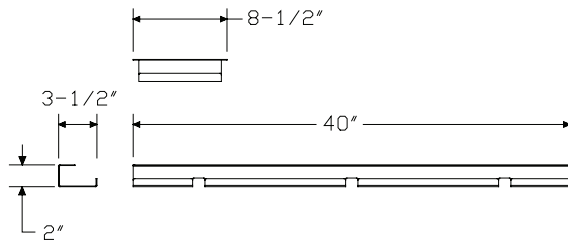


Product Information

Description

This channel attaches to the underside of a surface to hold and manage cords and cables. Attachment hardware included.

Dimensions



Specification Information

Step 1.

FT19C. A

Step 2. Width

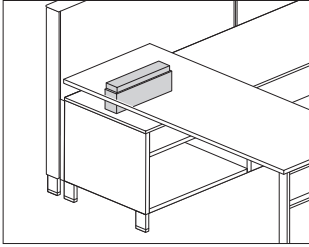
08 8" wide A

40 40" wide A

Prices for Steps 1-2.

FT19C. 08	\$40
40	\$73

Surface Support, Low Credenza, FT299. Adjustable Height



Canvas Office Landscape® Work Surfaces

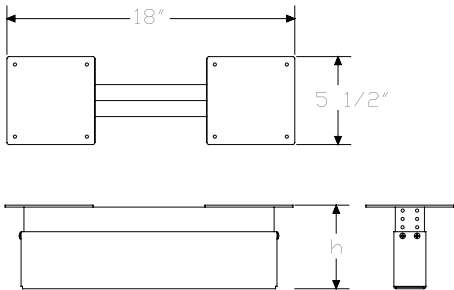
Product Information

Description
 This height-adjustable support allows a low credenza to support 1 end of a surface, and provides 3" of height adjustment for the surface. Attachment hardware included.

Notes

In lowest position, the height of supports is as follows:
 • 3⁵/₈" high for storage type (M)
 • 5³/₈" high for storage type (S)
 When used with low credenza with 3/8" thin top, surface adjustment height range is 27" - 30".
 When used with low credenza with 1 1/4" thick top, surface adjustment height range is 27⁵/₈" - 30⁵/₈".

Dimensions



Specification Information

Step 1.

FT299.

Step 2. Storage Type

- M** for use with low credenza with 4" high foot
- S** for use with low credenza with 2 1/4" high base

Prices for Steps 1-2.

FT299. M	\$314
S	\$314

Step 3. Surface Finish

Bright Sand Texture Paint

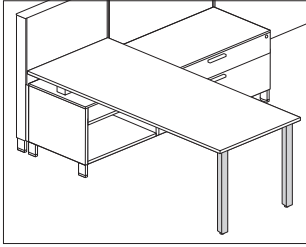
91	white	+\$0
CL	cool grey neutral	+\$0
G1	graphite	+\$0
WN	warm grey neutral	+\$0
8Q	folkstone grey	+\$0
98	studio white	+\$0
WL	sandstone	+\$0

Metallic Paint

CN	metallic champagne	+\$10
EH	metallic bronze	+\$10
MS	metallic silver	+\$10

Universal Post Leg

FT2B2.



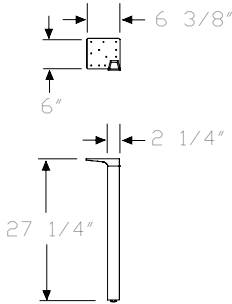
Product Information

Description

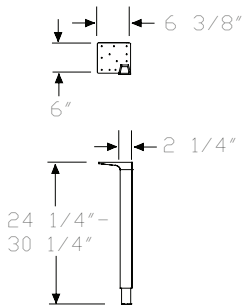
This leg is available as a single leg to support 1 corner of a surface, or as a pair to support 1 end of a surface. The fixed-height leg has a 2" leveling range, allowing a surface height of 28¹/₂"-30¹/₂". The adjustable-height leg is adjustable over a 6" range, allowing a surface height of 25¹/₂"-31¹/₂". Attachment hardware included.

Dimensions

Fixed Height



Adjustable Height



Specification Information

Step 1.

FT2B2.

Step 2. Leg Type

- F** fixed height
- A** adjustable height

Step 3. Position

- L** left-hand, single leg
- R** right-hand, single leg
- P** left-hand & right-hand, pair

Prices for Steps 1-3.

	L	R	P
FT2B2. F	\$377	377	750
A	\$403	403	805

Step 4. Leg Body Finish

	L	R	P
8Q folkstone grey	+\$0	0	0
98 studio white	+\$0	0	0
WL sandstone	+\$0	0	0

Bright Sand Texture Paint

	L	R	P
91 white	+\$0	0	0
G1 graphite	+\$0	0	0

Metallic Paint

	L	R	P
MS metallic silver	+\$5	5	10

Step 5. Leg Face Finish

Smooth Paint

	L	R	P
8Q folkstone grey	+\$0	0	0
91 white	+\$0	0	0
98 studio white	+\$0	0	0
G2 graphite satin	+\$0	0	0
WL sandstone	+\$0	0	0

Metallic Paint

	L	R	P
MS metallic silver	+\$5	5	10

Universal Post Leg *continued*

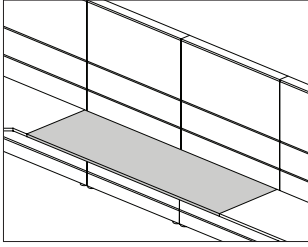
Anodized

		L	R	P
AN	clear anodized aluminum	+\$10	10	20

Canvas Office Landscape® Work Surfaces

Rectangular Surface

FTE10.
FTS10.
FTT10.



Product Information

Description

This surface hangs from a frame, wall strips, or attaches to various support components to create a freestanding rectangular desk. It has a laminate top and thermoplastic edge, laminate top with a thermoplastic backed plywood edge, veneer top and edge, or painted top and edge. Laminate and veneer surfaces are 1/4" thick. Painted Formcoat® surfaces are 1" thick. When hanging from a frame or wall strips there is a 1" gap at the back of the surface for standard plug head and cord passage.

Notes

For additional size, shape, cable management, and finish options, see Vary Easy Program in Appendices.

For surface attachment bracket (D) option:

- Ganging brackets are included for using the surface as a bridge.
- Surface will only attach to front edge of squared-edge surfaces or the transition portion of the thin-edge or eased-edge surfaces.

For Canvas frame attached surface (F) option:

- Order appropriate supports separately; 2 supports are required for each surface (left and right side):
 - Open support, tapered foot, frame attached (FT294.)
 - Open support, architectural foot, frame attached (FT2A1.)
 - Support panel, tapered foot, frame attached (FT291.)
 - Support panel, frame attached (FT2E2.)
 - Universal post leg, frame attached (FT2B1.)
 - Surface cantilever (FT290.)
 - Surface support rail (FT295.)
 - Support pedestal

- Center supports are included for surfaces 54" wide and wider.

For no brackets, for freestanding or use with low credenza (S) option:

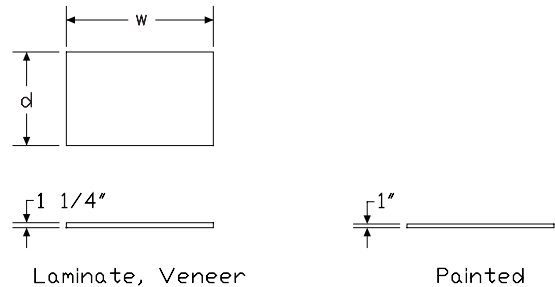
- Order the following support products separately:
 - Closed support leg (FV2E2.)
 - Open support leg, architectural foot (FV2A2.)
 - Square open support leg (FV2D2.)
 - Support leg, post (FV689.)
 - Universal post leg (FT2B2.)
 - Surface ganging bracket (FT29B.)
 - Surface support, low credenza, adjustable height (FT299.)
 - Surface support, low credenza, fixed height (FT298.)
 - Surface-attached pedestal
- When creating a freestanding desk with closed support leg (FV2E2.), a modesty panel (FV697.) is required for stability.

Thin-edge surfaces do not work with the following:

- Surface-attached pedestal
- Support pedestal
- Closed support leg (FV2E2.)
- Square open support leg (FV2D2.)

Stiffener (FV696.) is required for any laminate or veneer surface 54" wide or wider and painted formcoat surfaces 48" wide or wider that cannot use a center cantilever. See Canvas Office Landscape® Planning Guide for specific stiffener guidelines.

Dimensions



Specification Information	
Step 1.	
FT	
Step 2. Edge	
S10.	squared-edge
T10.	thin-edge
E10.	eased-edge
Step 3. Depth	
<i>For squared-edge (S10.)</i>	
20	20" deep
24	24" deep
30	30" deep
36	36" deep
<i>For thin-edge (T10.) or eased-edge (E10.)</i>	
24	24" deep
30	30" deep
36	36" deep
Step 4. Width	
<i>For 20" deep (20), 24" deep (24), or 30" deep (30)</i>	
24	24" wide
30	30" wide
36	36" wide
42	42" wide
48	48" wide
54	54" wide
60	60" wide
66	66" wide
72	72" wide
78	78" wide
84	84" wide
90	90" wide
96	96" wide
<i>For 36" deep (36)</i>	
60	60" wide <input type="checkbox"/>
66	66" wide <input type="checkbox"/>
72	72" wide <input type="checkbox"/>
78	78" wide <input type="checkbox"/>
84	84" wide <input type="checkbox"/>
90	90" wide <input type="checkbox"/>
96	96" wide <input type="checkbox"/>

Step 5. Surface Material	
<i>For squared-edge (S10.)</i>	
L	laminate top/thermoplastic edge
W	veneer top/veneer edge <input type="checkbox"/>
P	painted Formcoat® top/edge
U	laminate top/universal edge <input type="checkbox"/>
<i>For thin-edge (T10.)</i>	
L	laminate top/thermoplastic edge
W	veneer top/veneer edge <input type="checkbox"/>
P	painted Formcoat® top/edge
<i>For eased-edge (E10.)</i>	
P	painted Formcoat® top/edge
Step 6. Attachment Bracket	
<i>For 20" deep (20) with 24" wide (24), 30" wide (30), 66" wide (66), 72" wide (72), 78" wide (78), 84" wide (84), 90" wide (90), or 96" wide (96)</i>	
F	Canvas frame attached surface
<i>For 20" deep (20) with 36" wide (36), 42" wide (42), 48" wide (48), 54" wide (54), or 60" wide (60)</i>	
D	surface attachment bracket
F	Canvas frame attached surface
<i>For 24" deep (24) or 30" deep (30) with 24" wide (24) or 30" wide (30)</i>	
F	Canvas frame attached surface
S	no brackets, for freestanding or use with low credenza
<i>For 24" deep (24) or 30" deep (30) with 36" wide (36), 42" wide (42), 48" wide (48), or 54" wide (54)</i>	
D	surface attachment bracket
F	Canvas frame attached surface
S	no brackets, for freestanding or use with low credenza
<i>For 24" deep (24) or 30" deep (30) with 60" wide (60)</i>	
D	surface attachment bracket
F	Canvas frame attached surface
S	no brackets, for freestanding or use with low credenza
<i>For 24" deep (24) or 30" deep (30) with 66" wide (66), 72" wide (72), 78" wide (78), 84" wide (84), 90" wide (90), or 96" wide (96)</i>	
F	Canvas frame attached surface
S	no brackets, for freestanding or use with low credenza

Rectangular Surface *continued*

For 36" deep (36) with 60" wide (60), 66" wide (66), 72" wide (72), 78" wide (78), 84" wide (84), 90" wide (90), or 96" wide (96)

S no brackets, for freestanding or use with low credenza

Prices for Steps 1-6.

	LD	LF	LS	WD	WF	WS
FTS10. 20 24	—	\$176	—	—	413	—
30	—	\$198	—	—	463	—
36	\$214	224	—	502	513	—
42	\$237	248	—	552	564	—
48	\$262	272	—	594	606	—
54	\$310	320	—	683	695	—
60	\$349	359	—	769	782	—
66	—	\$400	—	—	871	—
72	—	\$442	—	—	958	—
78	—	\$482	—	—	1038	—
84	—	\$537	—	—	1118	—
90	—	\$552	—	—	1169	—
96	—	\$576	—	—	1202	—
24 24	—	\$176	134	—	413	365
30	—	\$198	157	—	463	417
36	\$214	224	182	502	513	466
42	\$237	248	205	552	564	517
48	\$262	272	231	594	606	559
54	\$310	320	279	683	695	649
60	\$349	359	307	769	782	723
66	—	\$400	349	—	871	812
72	—	\$442	390	—	958	899
78	—	\$482	441	—	1038	991
84	—	\$537	496	—	1118	1038
90	—	\$552	501	—	1169	1080
96	—	\$576	503	—	1202	1122
30 24	—	\$193	152	—	458	412
30	—	\$242	200	—	558	512
36	\$269	280	238	614	625	579
42	\$306	316	274	681	693	646
48	\$343	354	312	757	768	722
54	\$406	417	376	871	882	836
60	\$451	462	409	972	995	936
66	—	\$521	469	—	1114	1055
72	—	\$579	526	—	1230	1172
78	—	\$618	577	—	1305	1259
84	—	\$666	613	—	1381	1334
90	—	\$704	639	—	1449	1385
96	—	\$736	664	—	1516	1434

36 60	—	—	\$513	—	—	1148
66	—	—	\$590	—	—	1299
72	—	—	\$663	—	—	1445
78	—	—	\$670	—	—	1485
84	—	—	\$678	—	—	1525
90	—	—	\$722	—	—	1608
96	—	—	\$766	—	—	1690

	PD	PF	PS	UD	UF	US
FTS10. 20 24	—	\$202	—	—	176	—
30	—	\$229	—	—	198	—
36	\$300	258	—	214	224	—
42	\$326	285	—	237	248	—
48	\$356	314	—	262	272	—
54	\$410	369	—	310	320	—
60	\$455	413	—	349	359	—
66	—	\$461	—	—	400	—
72	—	\$509	—	—	442	—
78	—	\$555	—	—	482	—
84	—	\$618	—	—	537	—
90	—	\$636	—	—	552	—
96	—	\$662	—	—	576	—
24 24	—	\$202	161	—	176	134
30	—	\$229	187	—	198	157
36	\$300	258	217	214	224	182
42	\$326	285	243	237	248	205
48	\$356	314	272	262	272	231
54	\$410	369	327	310	320	279
60	\$455	413	372	349	359	307
66	—	\$461	420	—	400	349
72	—	\$509	467	—	442	390
78	—	\$555	514	—	482	441
84	—	\$618	577	—	537	496
90	—	\$636	594	—	552	501
96	—	\$662	620	—	576	503

Rectangular Surface *continued*

Canvas Office Landscape® Work Surfaces

30 24	—	\$223	181	—	193	152
30	—	\$279	237	—	242	200
36	\$364	322	281	269	280	238
42	\$405	364	322	306	316	274
48	\$448	406	365	343	354	312
54	\$521	479	438	406	417	376
60	\$573	531	490	451	462	409
66	—	\$599	558	—	521	469
72	—	\$666	624	—	579	526
78	—	\$711	669	—	618	577
84	—	\$766	724	—	666	613
90	—	\$809	768	—	704	639
96	—	\$848	806	—	736	664
36 60	—	—	\$613	—	—	513
66	—	—	\$703	—	—	590
72	—	—	\$787	—	—	663
78	—	—	\$819	—	—	670
84	—	—	\$852	—	—	678
90	—	—	\$901	—	—	722
96	—	—	\$953	—	—	766

30 24	—	\$270	229	—	549	503
30	—	\$340	299	—	670	623
36	\$434	392	351	797	751	705
42	\$484	443	401	878	832	785
48	\$537	496	454	968	922	876
54	\$625	584	542	1105	1059	1012
60	\$687	646	604	1240	1193	1146
66	—	\$728	686	—	1337	1290
72	—	\$808	767	—	1476	1430
78	—	\$865	823	—	1567	1521
84	—	\$931	889	—	1657	1611
90	—	\$983	941	—	1738	1692
96	—	\$1031	990	—	1820	1773
36 60	—	—	\$641	—	—	1407
66	—	—	\$733	—	—	1587
72	—	—	\$820	—	—	1761
78	—	—	\$855	—	—	1838
84	—	—	\$889	—	—	1914
90	—	—	\$941	—	—	2013
96	—	—	\$994	—	—	2112

	LD	LF	LS	WD	WF	WS
FTT10. 24 24	—	\$246	204	—	494	447
30	—	\$277	236	—	556	509
36	\$355	313	271	662	615	569
42	\$389	347	306	723	677	631
48	\$424	382	340	773	726	680
54	\$490	448	406	881	835	789
60	\$544	503	461	984	938	892
66	—	\$561	519	—	1045	999
72	—	\$618	577	—	1151	1103
78	—	\$675	634	—	1245	1199
84	—	\$750	709	—	1343	1297
90	—	\$772	730	—	1403	1356
96	—	\$805	763	—	1443	1396

	PD	PF	PS	UD	UF	US
FTT10. 24 24	—	\$217	175	—	—	—
30	—	\$243	201	—	—	—
36	\$316	274	233	—	—	—
42	\$345	304	262	—	—	—
48	\$377	335	294	—	—	—
54	\$435	393	352	—	—	—
60	\$481	440	398	—	—	—
66	—	\$491	449	—	—	—
72	—	\$542	501	—	—	—
78	—	\$592	550	—	—	—
84	—	\$658	615	—	—	—
90	—	\$676	635	—	—	—
96	—	\$706	664	—	—	—

30	24	—	\$237	195	—	—	—
30		—	\$298	256	—	—	—
36		\$385	343	302	—	—	—
42		\$430	388	346	—	—	—
48		\$475	434	392	—	—	—
54		\$552	511	469	—	—	—
60		\$607	566	524	—	—	—
66		—	\$638	596	—	—	—
72		—	\$709	667	—	—	—
78		—	\$757	716	—	—	—
84		—	\$815	774	—	—	—
90		—	\$861	819	—	—	—
96		—	\$901	860	—	—	—
36	60	—	—	\$654	—	—	—
66		—	—	\$748	—	—	—
72		—	—	\$838	—	—	—
78		—	—	\$873	—	—	—
84		—	—	\$908	—	—	—
90		—	—	\$961	—	—	—
96		—	—	\$1014	—	—	—

		PD	PF	PS	UD	UF	US
FTE10.	24	24	—	\$224	181	—	—
	30		—	\$252	209	—	—
	36		\$327	284	241	—	—
	42		\$357	314	271	—	—
	48		\$390	347	304	—	—
	54		\$449	406	363	—	—
	60		\$499	456	413	—	—
	66		—	\$508	465	—	—
	72		—	\$560	517	—	—
	78		—	\$612	569	—	—
	84		—	\$680	637	—	—
	90		—	\$700	656	—	—
	96		—	\$729	686	—	—

30	24	—	\$245	202	—	—	—
30		—	\$308	265	—	—	—
36		\$398	355	312	—	—	—
42		\$444	401	358	—	—	—
48		\$491	448	405	—	—	—
54		\$571	528	485	—	—	—
60		\$629	586	543	—	—	—
66		—	\$660	617	—	—	—
72		—	\$732	689	—	—	—
78		—	\$784	741	—	—	—
84		—	\$844	801	—	—	—
90		—	\$891	848	—	—	—
96		—	\$933	890	—	—	—
36	60	—	—	\$677	—	—	—
66		—	—	\$773	—	—	—
72		—	—	\$867	—	—	—
78		—	—	\$902	—	—	—
84		—	—	\$938	—	—	—
90		—	—	\$995	—	—	—
96		—	—	\$1049	—	—	—

Step 7.

Top Finish		
<i>For laminate top/thermoplastic edge (L) or laminate top/universal edge (U)</i>		
8Q	folkstone grey	+\$0
91	white	+\$0
98	studio white	+\$0
CL	cool grey neutral	+\$0
HF	inner tone light A	+\$0
HT	inner tone A	+\$0
LU	soft white	+\$0
WL	sandstone	+\$0
WN	warm grey neutral	+\$0
76	light brown walnut	+\$0
HM	natural maple	+\$0
HP	light anigre	+\$0
HX	aged cherry	+\$0
HY	walnut on cherry	+\$0
LA	light ash A	+\$0
LBA	clear on ash	+\$0
LBR	phantom ecru	+\$0
LBS	phantom cocoa	+\$0
LBU	medium matte walnut	+\$0
LBV	warm grey teak	+\$0
LBB	oak on ash	+\$0

Rectangular Surface *continued*

LBC	walnut on ash	+\$0
LBD	dark brown walnut	+\$0
LBE	medium red walnut	+\$0
OG	honey maple <input type="checkbox"/> A	+\$0
LBF	neutral twill	+\$0
LBG	sarum twill	+\$0
LBH	earthen twill	+\$0
LBJ	graphite twill	+\$0
LBQ	white twill	+\$0
LBK	pewter mesh	+\$0
LBL	steel mesh	+\$0
LBM	crisp linen	+\$0
LBN	classic linen	+\$0
LBP	casual linen	+\$0

Top/Edge Finish: Wood Veneer

For veneer top/veneer edge (W)

2U	light brown walnut <input type="checkbox"/> A	+\$85
40	dark brown walnut <input type="checkbox"/> A	+\$85
ED	aged cherry <input type="checkbox"/> A	+\$85
EK	medium red walnut <input type="checkbox"/> A	+\$85
EW	medium matte walnut <input type="checkbox"/> A	+\$85
ET	clear on ash <input type="checkbox"/> A	+\$85
EU	oak on ash <input type="checkbox"/> A	+\$85
EV	walnut on ash <input type="checkbox"/> A	+\$85
UL	natural maple <input type="checkbox"/> A	+\$85
UX	walnut on cherry <input type="checkbox"/> A	+\$85

Top/Edge Finish: Opaque Formcoat®

For painted Formcoat® top/edge (P)

8Q	folkstone grey	+\$0
91	white	+\$0
CL	cool grey neutral	+\$0
LU	soft white	+\$0
WL	sandstone	+\$0
WN	warm grey neutral	+\$0

Step 8. Edge Finish

For laminate top/thermoplastic edge (L)

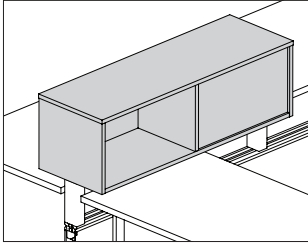
76	light brown walnut	+\$0
8Q	folkstone grey	+\$0
91	white	+\$0
98	studio white	+\$0
CL	cool grey neutral	+\$0
LA	light ash	+\$0
LBA	clear on ash	+\$0

LBR	phantom ecru	+\$0
LBS	phantom cocoa	+\$0
LBU	medium matte walnut	+\$0
LBV	warm grey teak	+\$0
LBB	oak on ash	+\$0
LBC	walnut on ash	+\$0
LBD	dark brown walnut	+\$0
LBE	medium red walnut	+\$0
LBF	neutral twill	+\$0
LBG	sarum twill	+\$0
LBH	earthen twill	+\$0
LBJ	graphite twill	+\$0
LBK	pewter mesh	+\$0
LBL	steel mesh	+\$0
LBM	crisp linen	+\$0
LBN	classic linen	+\$0
LBP	casual linen	+\$0
LBQ	white twill	+\$0
WL	sandstone	+\$0
WN	warm grey neutral	+\$0
HF	inner tone light	+\$0
HM	natural maple	+\$0
HP	light anigre	+\$0
HT	inner tone	+\$0
HX	aged cherry	+\$0
HY	walnut on cherry	+\$0
LU	soft white	+\$0
OG	honey maple	+\$0

For laminate top/universal edge (U)

PLY	plywood edge <input type="checkbox"/> A	+\$50
------------	---	-------

Storage Cabinet, Dock Mounted, Open FD415.



Product Information

Description

This cabinet has a laminate or veneer surface and mounts to the top rail of a Canvas dock to provide storage on 1 or both sides.

Notes

Double-sided (D) provides storage access on both sides of the cabinet, allowing half of the storage to be accessed from each side of the dock wall.

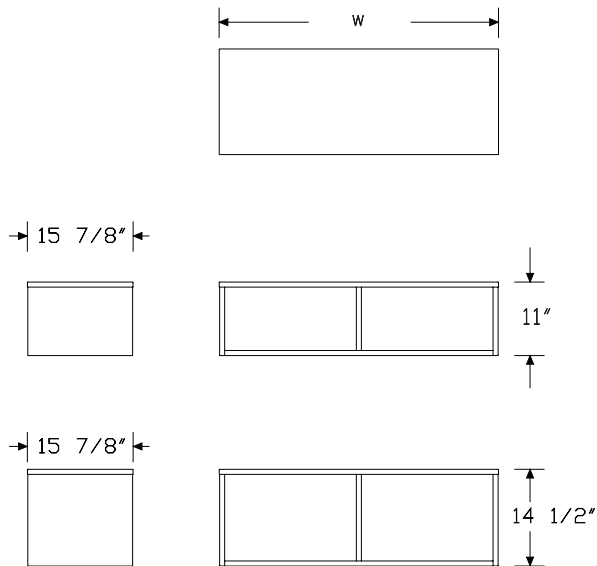
Single-sided (S) provides storage access on 1 side only.

Order stanchion support for center mount (FD417.) or offset mount (FD419.) separately.

Order optional accessories separately:

- Marker board (FT492.)
- Tackboard (FT491.)

Dimensions



Specification Information

Step 1.

FD415. A

Step 2. Height

15 15" high A

Step 3. Width

36 36" wide A

42 42" wide A

48 48" wide A

60 60" wide A

72 72" wide A

Step 4. Attachment

C center mount A

F offset A

Step 5. Storage Type

For center mount (C)

D double-sided A

S single-sided A

For offset (F)

S single-sided A

Step 6. Position

For double-sided (D)

L opening left A

R opening right A

For single-sided (S)

S opening left and right A

Step 7. Surface Material

L laminate A

W veneer A

Prices for Steps 1-7.

		CDLL	CDLW	CDRL	CDRW	CSSL	CSSW
FD415.	15 36	\$859	2020	859	2020	859	2020
	42	\$945	2222	945	2222	945	2222
	48	\$1031	2682	1031	2682	1031	2682
	60	\$1160	2884	1160	2884	1160	2884
	72	\$1288	3187	1288	3187	1288	3187

Storage Cabinet, Dock Mounted, Open *continued*

	FSSL	FSSW
FD415. 15 36	\$859	2020
42	\$945	2222
48	\$1031	2682
60	\$1160	2884
72	\$1288	3187

Step 8. Top/Edge Finish

Solid-Color Laminate

For laminate (L)

8Q	folkstone grey <input type="checkbox"/>	+\$0
91	white <input type="checkbox"/>	+\$0
98	studio white <input type="checkbox"/>	+\$0
CL	cool grey neutral <input type="checkbox"/>	+\$0
LU	soft white <input type="checkbox"/>	+\$0
WL	sandstone <input type="checkbox"/>	+\$0
WN	warm grey neutral <input type="checkbox"/>	+\$0

For laminate (L)

LBM	crisp linen <input type="checkbox"/>	+\$0
LBN	classic linen <input type="checkbox"/>	+\$0
LBP	casual linen <input type="checkbox"/>	+\$0

For laminate (L)

LBK	pewter mesh <input type="checkbox"/>	+\$0
LBL	steel mesh <input type="checkbox"/>	+\$0

For laminate (L)

LBF	neutral twill <input type="checkbox"/>	+\$0
LBG	sarum twill <input type="checkbox"/>	+\$0
LBH	earthen twill <input type="checkbox"/>	+\$0
LBJ	graphite twill <input type="checkbox"/>	+\$0
LBQ	white twill <input type="checkbox"/>	+\$0

Wood-Grain Laminate

For laminate (L)

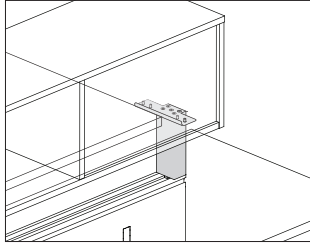
76	light brown walnut <input type="checkbox"/>	+\$0
HM	natural maple <input type="checkbox"/>	+\$0
HP	light anigre <input type="checkbox"/>	+\$0
HX	aged cherry <input type="checkbox"/>	+\$0
HY	walnut on cherry <input type="checkbox"/>	+\$0
LBA	clear on ash <input type="checkbox"/>	+\$0
LBR	phantom ecru <input type="checkbox"/>	+\$0
LBS	phantom cocoa <input type="checkbox"/>	+\$0
LBU	medium matte walnut <input type="checkbox"/>	+\$0
LBV	warm grey teak <input type="checkbox"/>	+\$0
LBB	oak on ash <input type="checkbox"/>	+\$0
LBC	walnut on ash <input type="checkbox"/>	+\$0
LBD	dark brown walnut <input type="checkbox"/>	+\$0
LBE	medium red walnut <input type="checkbox"/>	+\$0

Wood Veneer

For veneer (W)

2U	light brown walnut <input type="checkbox"/>	+\$0
40	dark brown walnut <input type="checkbox"/>	+\$0
ED	aged cherry <input type="checkbox"/>	+\$0
EK	medium red walnut <input type="checkbox"/>	+\$0
EW	medium matte walnut <input type="checkbox"/>	+\$0
ET	clear on ash <input type="checkbox"/>	+\$0
EU	oak on ash <input type="checkbox"/>	+\$0
EV	walnut on ash <input type="checkbox"/>	+\$0
UL	natural maple <input type="checkbox"/>	+\$0
UX	walnut on cherry <input type="checkbox"/>	+\$0

Upper Storage Stanchion - Center Mount FD417.



Product Information

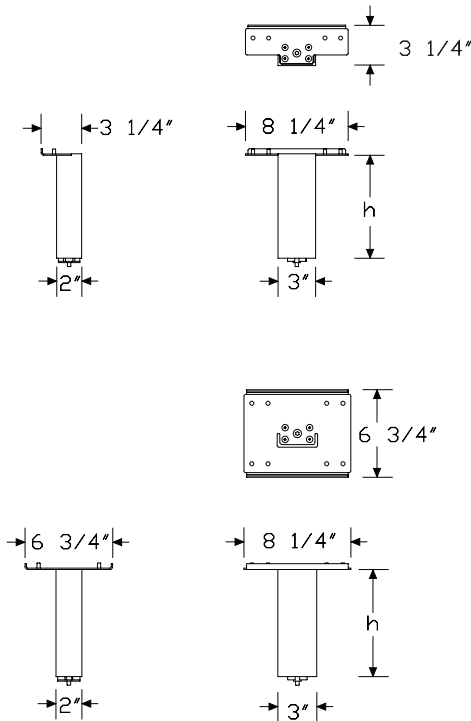
Description

This painted metal stanchion attaches 1 end of a dock mounted storage cabinet to the dock top rail in a center mounting position. It can be attached anywhere along the top rail. Package contains 1 stanchion. Attachment hardware included.

Notes

Specify shared stanchion (T) to support 2 adjacent cabinet ends.
Order single-sided or double-sided dock mounted storage cabinet (FD415.) separately.

Dimensions



Specification Information

Step 1.

FD417. A

Step 2. Attachment

D dock A

Step 3. Height

09 9" high A

16 16" high A

20 20" high A

Step 4. Grouping/Quantity

S single A

T shared A

Prices for Steps 1-4.

	S	T
FD417. D 09	\$250	250
16	\$258	258
20	\$267	267

Step 5. Surface Finish

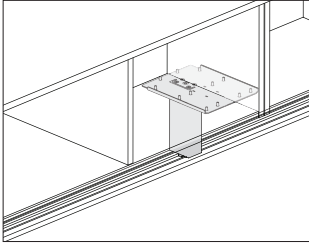
Bright Sand Texture Paint

91 white <input type="checkbox"/> A	+\$0
CL cool grey neutral <input type="checkbox"/> A	+\$0
G1 graphite <input type="checkbox"/> A	+\$0
WN warm grey neutral <input type="checkbox"/> A	+\$0
8Q folkstone grey <input type="checkbox"/> A	+\$0
98 studio white <input type="checkbox"/> A	+\$0
WL sandstone <input type="checkbox"/> A	+\$0

Metallic Paint

CN metallic champagne <input type="checkbox"/> A	+\$10
EH metallic bronze <input type="checkbox"/> A	+\$10
MS metallic silver <input type="checkbox"/> A	+\$10

Upper Storage Stanchion - Offset Mount FD419.



Product Information

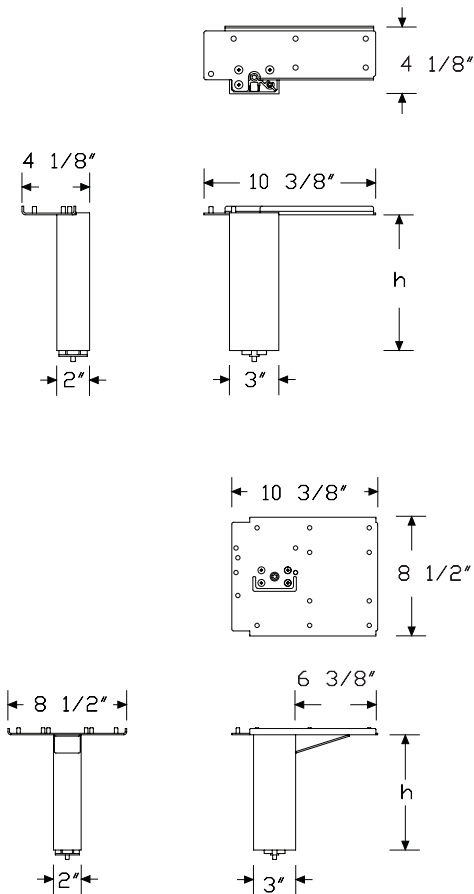
Description

This painted metal stanchion attaches 1 end of a dock mounted storage cabinet to the dock top rail in an offset mounting position. It can be attached anywhere along the top rail, and is handed. Package contains 1 stanchion. Attachment hardware included.

Notes

Specify single-shared stanchion (T) to support 2 adjacent cabinet ends.
Order single-sided or double-sided dock mounted storage cabinet (FD415.) separately.

Dimensions



Specification Information

Step 1.

FD419. A

Step 2. Attachment

D dock A

Step 3. Height

09 9" high A

16 16" high A

20 20" high A

Step 4. Grouping/Quantity

L single left A

R single right A

T single - shared A

Prices for Steps 1-4.

		L	R	T
FD419. D	09	\$250	250	250
	16	\$258	258	258
	20	\$267	267	267

Step 5. Surface Finish

Bright Sand Texture Paint

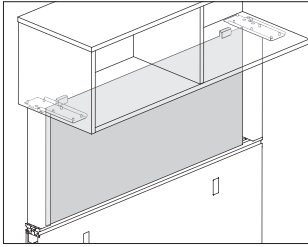
91	white <input type="checkbox"/> A	+\$0
CL	cool grey neutral <input type="checkbox"/> A	+\$0
G1	graphite <input type="checkbox"/> A	+\$0
WN	warm grey neutral <input type="checkbox"/> A	+\$0
8Q	folkstone grey <input type="checkbox"/> A	+\$0
98	studio white <input type="checkbox"/> A	+\$0
WL	sandstone <input type="checkbox"/> A	+\$0

Metallic Paint

CN	metallic champagne <input type="checkbox"/> A	+\$10
EH	metallic bronze <input type="checkbox"/> A	+\$10
MS	metallic silver <input type="checkbox"/> A	+\$10

Stanchion Infill

FD430.



Product Information

Description

This acrylic infill fits between 2 stanchions below a dock mounted storage cabinet.

Notes

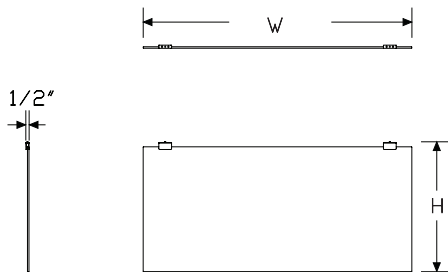
Infill is used between single or shared stanchions.

Specify infill width to match the width of storage cabinet (FD415.).

An opening is created between infill and stanchion at each end of infill.

- Single stanchion at each end, openings are $\frac{3}{4}$ "
- Single stanchion at 1 end and shared stanchion at 1 end, openings are $1\frac{1}{4}$ "
- Shared stanchion at each end, openings are $1\frac{3}{4}$ "

Dimensions



Specification Information

Step 1.

FD430. A

Step 2. Type

A acrylic A

Step 3. Height

16 16" high for overhead storage at 53" high A

20 20" high for overhead storage at 57" high A

Step 4. Width

36 36" wide A

42 42" wide A

48 48" wide A

60 60" wide A

72 72" wide A

Prices for Steps 1-4.

		36	42	48	60	72
FD430. A	16	\$404	422	439	464	508
	20	\$413	430	447	473	516

Step 5. Infill Finish

TR clear A +\$0

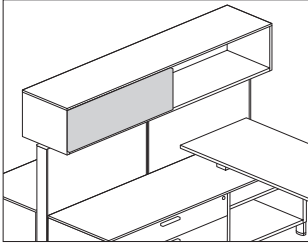
J9 opal frosted A +\$50

Step 6. Attachment Bracket Finish

MS metallic silver A +\$5

Tackboard, Storage Cabinet, Frame Top Mounted

FT491.



Product Information

Description

This tackboard attaches to 1 side of a double-sided frame top mounted storage cabinet to provide a tackable surface. Attachment hardware included.

Notes

Specify tackboard width $\frac{1}{2}$ the width of the storage cabinet.

Attaches to back of unit or to interior of open storage cabinet (FT415).

Tackboard accepts Customer's Own Material (COM). Yardage is estimated for directional, 54"-wide fabrics.

For tackable fabric option (T)

Width—Yardage

All widths—.61

For tackable fabric, horizontal (R)

Width—Yardage

18—.72

21—.80

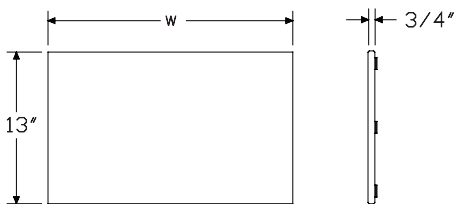
24—.88

30—1.05

36—1.22

For information on multiple quantities or nondirectional fabrics, contact COM Department. See Order Information in Appendices.

Dimensions



Specification Information

Step 1.

FT491. [A]

Step 2. Width

36	16 ³ / ₄ " for 36"-wide cabinet	[A]
42	19 ³ / ₄ " for 42"-wide cabinet	[A]
48	22 ³ / ₄ " for 48"-wide cabinet	[A]
60	28 ³ / ₄ " for 60"-wide cabinet	[A]
72	34 ³ / ₄ " for 72"-wide cabinet	[A]
84	20" for 84"-wide cabinet	[A]
96	23" for 96"-wide cabinet	[A]

Step 3. Surface Material

T	tackable fabric	[A]
R	tackable fabric, horizontal	[A]

Prices for Steps 1-3.

		T	R
FT491. 36		\$127	130
	42	\$144	148
	48	\$162	167
	60	\$188	193
	72	\$215	221
	84	\$144	148
	96	\$162	167

Step 4. Surface Finish

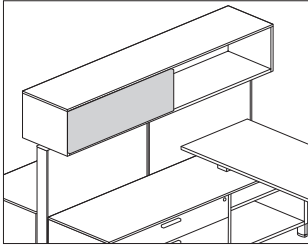
See application chart and textiles list for fabric usage and numbers.

First 2 digits of number indicate fabric line; remaining digit(s) indicate fabric color.

Price Category 1	+\$0
Price Category 2	+\$19
Price Category 3	+\$33
Price Category 4	+\$51
Price Category B	+\$37
Price Category C	+\$51
Price Category D	+\$64
Price Category E	+\$78

Markerboard, Storage Cabinet,
Frame Top Mounted

FT492.



Product Information

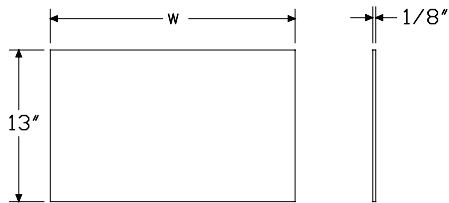
Description

This marker board attaches to 1 side of a double-sided frame top mounted storage cabinet to provide a writing surface for dry-erase markers. Attachment hardware included.

Notes

Specify marker board width $\frac{1}{2}$ the width of the storage cabinet.
Attaches to back of storage unit (FT415).

Dimensions



Specification Information

Step 1.

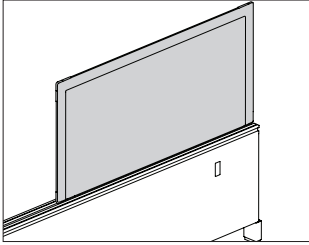
FT492. [A]

Step 2. Width

- 36** 16 $\frac{3}{4}$ " for 36"-wide cabinet [A]
- 42** 19 $\frac{3}{4}$ " for 42"-wide cabinet [A]
- 48** 22 $\frac{3}{4}$ " for 48"-wide cabinet [A]
- 60** 28 $\frac{3}{4}$ " for 60"-wide cabinet [A]
- 72** 34 $\frac{3}{4}$ " for 72"-wide cabinet [A]
- 84** 20" for 84"-wide cabinet [A]
- 96** 23" for 96"-wide cabinet [A]

Prices for Steps 1-2.

FT492. 36	\$118
42	\$124
48	\$130
60	\$145
72	\$159
84	\$124
96	\$130



Product Information

Description

This tackable fabric screen attaches anywhere along the top rail of the 22" high Canvas dock to extend the overall height and to provide boundary with a tackable surface. Attachment hardware included.

Notes

Order screen attached marker board (FD125.) separately.

Screen accepts Customer's Own Material (COM). Yardage is estimated for nondirectional 54"-wide fabrics.

For vertical fabric direction (T):

Height—Yardage

20—1.58

24—1.84

31—2.27

35—2.53

For horizontal fabric direction (R), for 20" high and 24" high:

Width—Yardage

24—0.95

36—1.32

42—1.51

48—1.71

60—2.07

72—2.46

For horizontal fabric direction (R), for 31" high and 35" high:

Width—Yardage

24—1.90

36—2.66

42—3.02

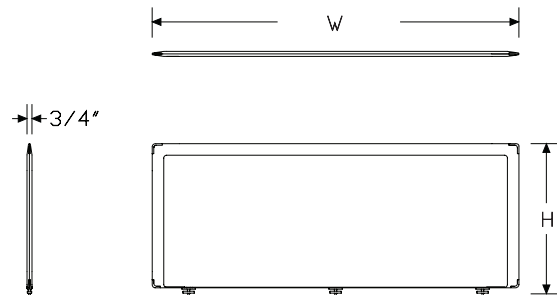
48—3.41

60—4.17

72—4.92

For information on multiple quantities or directional fabrics, contact COM Department. See Order Information in Appendices.

Dimensions



Screens, Dock Mounted *continued*

Specification Information

Step 1.

FD115. A

Step 2. Type

F fabric A

Step 3. Height

20 20" high (to reach datum of 42"H) A

24 24" high (to reach datum of 46"H) A

31 31" high (to reach datum of 53"H) A

35 35" high (to reach datum of 57"H) A

Step 4. Width

24 24" wide A

36 36" wide A

42 42" wide A

48 48" wide A

60 60" wide A

72 72" wide A

Step 5. Surface Material

For 24" wide (24), 36" wide (36), 42" wide (42), or 48" wide (48)

T tackable fabric A

R tackable fabric, horizontal A

For 60" wide (60) or 72" wide (72)

R tackable fabric, horizontal A

Prices for Steps 1-5.

		24T	24R	36T	36R	42T	42R
FD115. F	20	\$675	675	765	765	855	855
	24	\$720	720	810	810	900	900
	31	\$900	900	990	990	1080	1080
	35	\$990	990	1080	1080	1170	1170
				48T	48R	60R	72R
FD115. F	20			\$945	945	1080	1170
	24			\$990	990	1125	1215
	31			\$1170	1170	1305	1395
	35			\$1260	1260	1395	1485

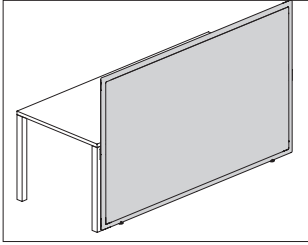
Step 6. Fabric

	2024	2036	2042	2048	2060
Price Category 1	+\$0	0	0	0	0
Price Category 2	+\$13	13	18	18	20
Price Category 3	+\$31	31	43	43	49
Price Category 4	+\$53	53	74	74	85
	2072	2424	2436	2442	2448
Price Category 1	+\$0	0	0	0	0
Price Category 2	+\$20	23	23	28	28
Price Category 3	+\$49	55	55	67	67
Price Category 4	+\$85	96	96	117	117
	2460	2472	3124	3136	3142
Price Category 1	+\$0	0	0	0	0
Price Category 2	+\$33	33	26	26	36
Price Category 3	+\$80	80	61	61	86
Price Category 4	+\$138	138	107	107	150
	3148	3160	3172	3524	3536
Price Category 1	+\$0	0	0	0	0
Price Category 2	+\$36	41	41	46	46
Price Category 3	+\$86	98	98	110	110
Price Category 4	+\$150	170	170	192	192
	3542	3548	3560	3572	
Price Category 1	+\$0	0	0	0	0
Price Category 2	+\$57	57	67	67	
Price Category 3	+\$135	135	159	159	
Price Category 4	+\$235	235	277	277	

Canvas Office Landscape® Screens

Screens, Freestanding/Surface Attached

FD300.



Product Information

Description

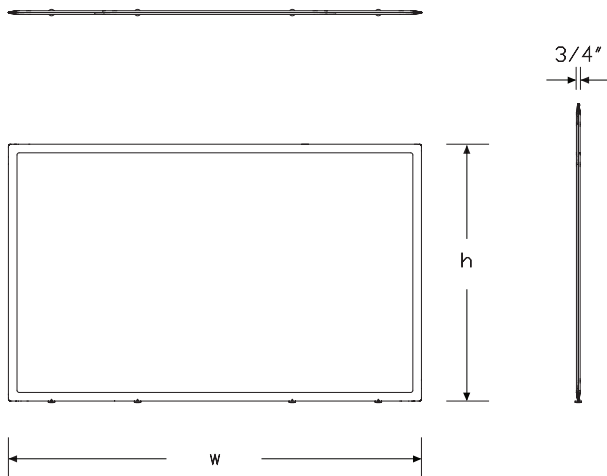
This tackable fabric screen is 42" or 46" high. It has an all fabric surface and a frameless edge. Includes 2 adjustable glides for leveling.

Notes

Screen can be freestanding when connected in 90° or 120° configurations. See planning guide for more information.
 Screen can be connected inline (180°). See planning guide for connection rules.
 Screen can be attached to:

- Canvas dock
- Table or surface
- Canvas low storage

Dimensions



Canvas Office Landscape® Screens

Specification Information

Step 1.

FD300. A

Step 2. Type

F fabric/fabric A

Step 3. Height

42 42" high A

46 46" high A

Step 4. Width

For 42" high (42)

15 15" wide A

20 20" wide A

24 24" wide A

30 30" wide A

36 36" wide A

42 42" wide A

48 48" wide A

54 54" wide A

60 60" wide A

66 66" wide A

72 72" wide A

For 46" high (46)

15 15" wide A

20 20" wide A

24 24" wide A

30 30" wide A

36 36" wide A

42 42" wide A

48 48" wide A

60 60" wide A

72 72" wide A

Step 5. Surface Material

For 15" wide (15), 20" wide (20), 24" wide (24), 30" wide (30), 36" wide (36), 42" wide (42), or 48" wide (48)

T tackable fabric A

R tackable fabric, horizontal A

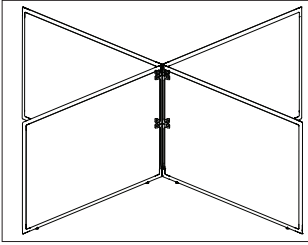
For 54" wide (54), 60" wide (60), 66" wide (66), or 72" wide (72)

R tackable fabric, horizontal A

Screens, Freestanding/Surface
Attached *continued*

Prices for Steps 1-5.							
		15T	15R	20T	20R	24T	24R
FD300. F	42	\$800	800	850	850	1000	1000
	46	\$860	860	920	920	1050	1050
		30T	30R	36T	36R	42T	42R
FD300. F	42	\$1050	1050	1100	1100	1150	1150
	46	\$1125	1125	1200	1200	1275	1275
		48T	48R	54R	60R	66R	72R
FD300. F	42	\$1200	1200	1275	1350	1500	1600
	46	\$1275	1500	—	1725	—	1850

Step 6. Fabric					
	4215	4220	4224	4230	4236
Price Category 1	+\$0	0	0	0	0
Price Category 2	+\$24	24	24	38	38
Price Category 3	+\$57	57	57	90	90
Price Category 4	+\$99	99	99	156	156
	4242	4248	4254	4260	4272
Price Category 1	+\$0	0	0	0	0
Price Category 2	+\$38	52	52	52	52
Price Category 3	+\$90	124	124	124	124
Price Category 4	+\$156	215	215	215	215
	4266	4615	4620	4624	4630
Price Category 1					+\$0
Price Category 2					+\$52
Price Category 3					+\$124
Price Category 4					+\$215

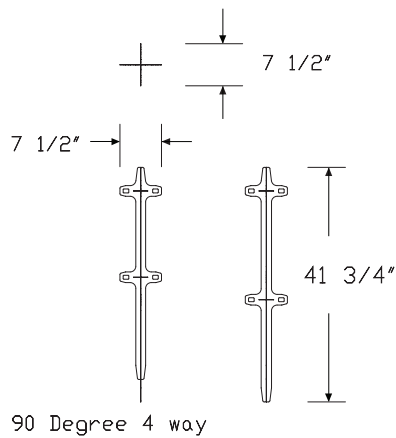
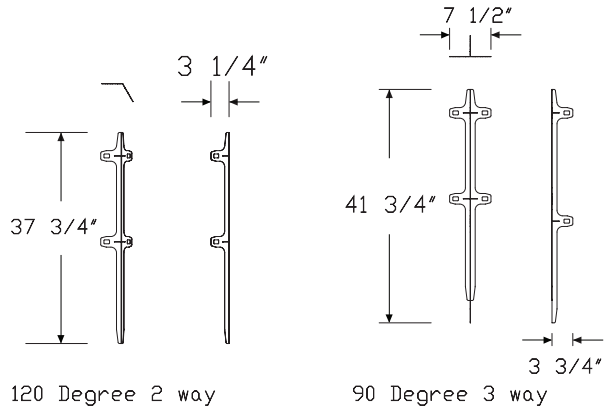
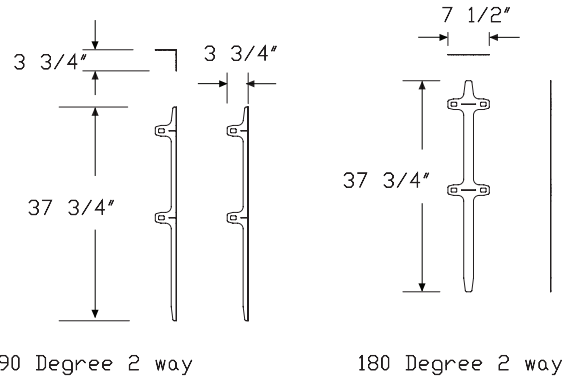


Product Information

Description
 This painted metal hardware connects multiple freestanding screens in 90°, 120°, and 180° configurations.

Notes
 Order freestanding screen (FD300.) separately.
 See planning guide for planning rules.

Dimensions



Connection Hardware, Screens

continued

Specification Information

Step 1.

FD311.

Step 2. Configuration

- 1 90° connection - 2 screens
- 2 120° connection - 2 screens
- 3 3-way connection - 90°
- 4 4-way connection - 90°
- 5 180° connection - inline - 2 screens

Step 3. Height

- 42 42" high
- 46 46" high

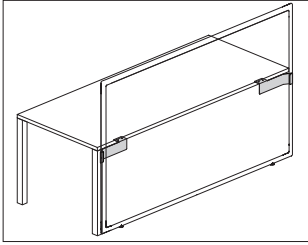
Prices for Steps 1-3.

	42	46
FD311. 1	\$41	51
2	\$41	51
3	\$101	112
4	\$132	142
5	\$71	81

Step 4. Finish

8Q	folkstone grey <input type="checkbox"/>	+\$0
91	white <input type="checkbox"/>	+\$0
98	studio white <input type="checkbox"/>	+\$0
G1	graphite <input type="checkbox"/>	+\$0
MS	metallic silver <input type="checkbox"/>	+\$5
WL	sandstone <input type="checkbox"/>	+\$0
WN	warm grey neutral <input type="checkbox"/>	+\$0

Bracket Hardware, Work Surface/ FD312.
Low Storage

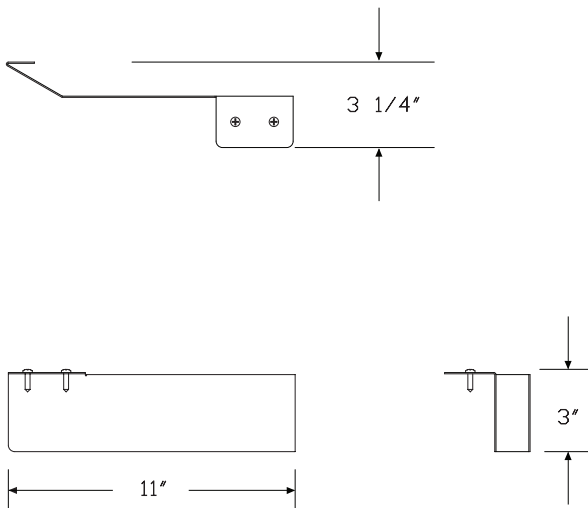


Product Information

Description
This metal hardware attaches Canvas freestanding screens to a work surface or Canvas low storage. Package of 2 brackets.

Notes
Used with fixed height surfaces.
Provides 1" cable management gap between screen and back of surface or storage.
See planning guide for connection and support rules.

Dimensions



Canvas Office Landscape® Screens

Specification Information

Step 1.

FD312. A

Step 2. Configuration

- 1** connection hardware to surface - pair A
- 3** connection hardware to low storage A

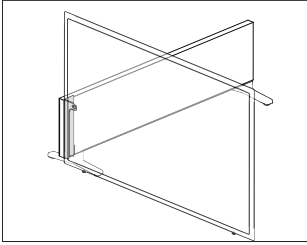
Prices for Steps 1-2.

FD312. 1	\$142
3	\$142

Step 3. Finish

8Q	folkstone grey <input type="checkbox"/> A	+\$0
91	white <input type="checkbox"/> A	+\$0
98	studio white <input type="checkbox"/> A	+\$0
G1	graphite <input type="checkbox"/> A	+\$0
MS	metallic silver <input type="checkbox"/> A	+\$5
WL	sandstone <input type="checkbox"/> A	+\$0
WN	warm grey neutral <input type="checkbox"/> A	+\$0

Dock to Screen Bracket, Screens FD313.



Product Information

Description

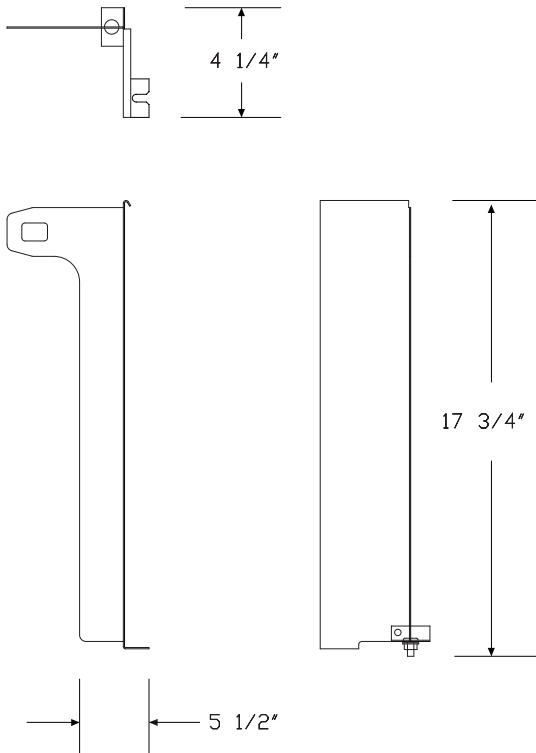
This bracket connects the Canvas freestanding screen to a Canvas dock wall run.

Notes

Bracket attaches on left or right end of dock. Handedness determined when user is facing the dock.

See planning guide for planning rules.

Dimensions



Specification Information

Step 1.

FD313. A

Step 2. Configuration

1 connection hardware to Canvas Dock A

Step 3. Position

L left A

R right A

Prices for Steps 1-3.

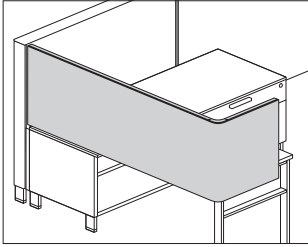
	L	R
FD313. 1	\$71	71

Step 4. Finish

8Q	folkstone grey <input type="checkbox"/> A	+\$0
91	white <input type="checkbox"/> A	+\$0
98	studio white <input type="checkbox"/> A	+\$0
G1	graphite <input type="checkbox"/> A	+\$0
MS	metallic silver <input type="checkbox"/> A	+\$0
WL	sandstone <input type="checkbox"/> A	+\$0
WN	warm grey neutral <input type="checkbox"/> A	+\$0

Signature Screen, Surface-Attached

FT350.



Product Information

Description

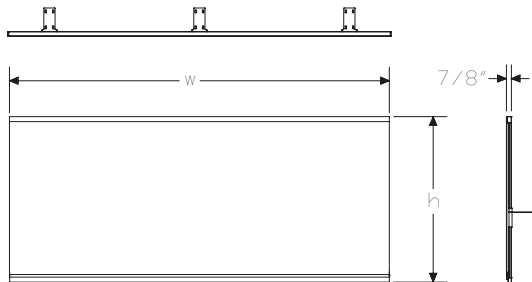
This screen attaches to a surface to provide visual privacy. It is designed to match the height of a 42"-high frame, but can be adjusted to provide varying privacy above and below the surface. The screen has an aluminum frame with a textile surface and is available in 2 heights.

Notes

When top of screen matches the height of a 42"-high frame, the 18"-high screen extends approximately 4" below the surface and the 23"-high screen extends approximately 9" below the surface.

When attached to a surface, there is a 1/2" gap between the back edge and the screen.

Dimensions



Canvas Office Landscape® Screens

Specification Information

Step 1.

FT350. A

Step 2. Attachment Type

A surface attached A

Step 3. Configuration

SS straight A

CC corner wrap A

Step 4. Height

18 18" high A

23 23" high A

Step 5. Depth

For straight (SS)

NN none A

For corner wrap (CC)

20 20" deep A

Step 6. Width

40 39 1/2" wide A

46 45 1/2" wide A

52 51 1/2" wide A

60 60" wide A

66 66" wide A

72 72" wide A

Step 7. Surface Material

S woven screen A

Prices for Steps 1-7.

	182040S	182046S	182052S	182060S	182066S	182072S
FT350. A CC	\$1009	1037	1061	1244	1269	1309
	18NN40S	18NN46S	18NN52S	18NN60S	18NN66S	18NN72S
FT350. A SS	\$673	704	734	933	964	1004
	232040S	232046S	232052S	232060S	232066S	232072S
FT350. A CC	\$1038	1063	1090	1279	1306	1346
	23NN40S	23NN46S	23NN52S	23NN60S	23NN66S	23NN72S
FT350. A SS	\$704	735	765	976	1006	1049

Signature Screen, Surface-Attached *continued*

Step 8. Surface Finish

*See application chart and textiles list for fabric usage and numbers.
First 2 digits of number indicate fabric line; remaining digit(s) indicate fabric color.*

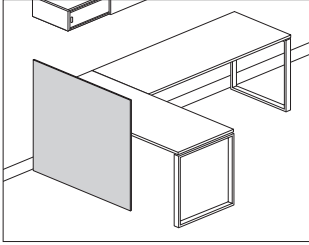
Price Category 1 + \$0

Step 9. Frame Finish

MS metallic silver A + \$10

Privacy Panel

FV693.



Product Information

Description

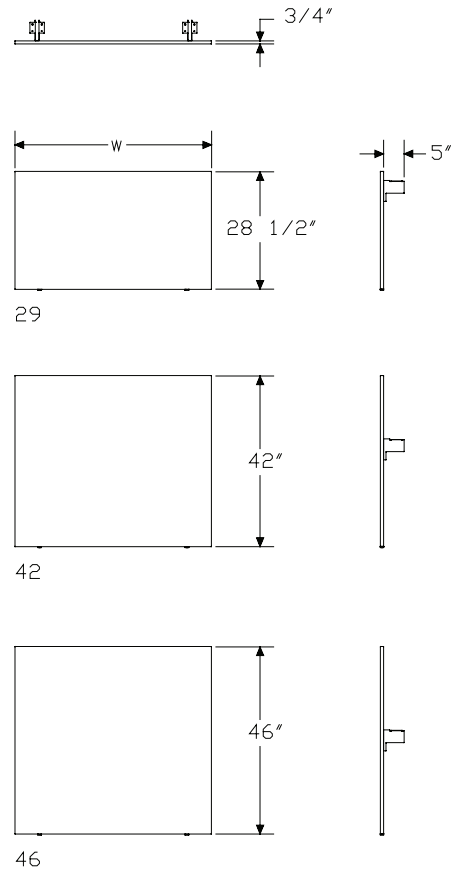
This panel stands on the floor and attaches to a desk or return to provide partial- or full-width privacy. It is $\frac{3}{4}$ " thick, has a laminate or veneer surface, and includes leveling glides. Attachment hardware included.

Notes

For additional product options, see Vary Easy Program in Appendices.
 Grain direction is vertical on veneer and wood-grain laminate panel.
 29"-high panel provides modesty from the floor to the surface. 42"- and 46"-high panels rise above the surface for visual privacy.
 When attached to surface, there is a $\frac{1}{2}$ " gap between the back edge and the panel.
 Wood-grain laminate option is only available in 33" - 60" widths. Specify 2 panels to match the width of surfaces wider than 60".
 For cable management between privacy panel and back edge of surface, specify cable manager (FV695.) separately.

Canvas Office Landscape® Screens

Dimensions



Specification Information

Step 1.

FV693.

Step 2. Height

29	29" high
42	42" high
46	46" high

Step 3. Width

For 29" high (29)

33	33" wide
36	36" wide
48	48" wide
54	54" wide
60	60" wide
66	66" wide
72	72" wide
84	84" wide

For 42" high (42) or 46" high (46)

48	48" wide
54	54" wide
60	60" wide
72	72" wide

Step 4. Surface Material

L	laminate
W	veneer A

Prices for Steps 1-4.

	L	W
FV693. 29 33	\$278	607
36	\$303	662
48	\$401	882
54	\$452	990
60	\$502	1102
66	\$552	1207
72	\$602	1322
84	\$701	1541
42 48	\$487	1164
54	\$547	1308
60	\$607	1457
72	\$728	1749

46 48	\$509	1218
54	\$575	1375
60	\$638	1525
72	\$765	1829

Step 5. Surface Finish

Solid-Color Laminate

For 33" wide (33), 48" wide (48), 36" wide (36), 54" wide (54), 60" wide (60), 72" wide (72), 66" wide (66), or 84" wide (84) with laminate (L)

8Q	folkstone grey	+\$0
91	white	+\$0
98	studio white	+\$0
CL	cool grey neutral	+\$0
LU	soft white	+\$0
WL	sandstone	+\$0
WN	warm grey neutral	+\$0

Linon Laminate

For 33" wide (33), 48" wide (48), 36" wide (36), 54" wide (54), or 60" wide (60) with laminate (L)

LBM	crisp linon	+\$0
LBN	classic linon	+\$0
LBP	casual linon	+\$0

Mesh Laminate

For 33" wide (33), 48" wide (48), 36" wide (36), 54" wide (54), or 60" wide (60) with laminate (L)

LBK	pewter mesh	+\$0
LBL	steel mesh	+\$0

Twill Laminate

For 33" wide (33), 48" wide (48), 36" wide (36), 54" wide (54), or 60" wide (60) with laminate (L)

LBF	neutral twill	+\$0
LBG	sarum twill	+\$0
LBH	earthen twill	+\$0
LBJ	graphite twill	+\$0
LBQ	white twill	+\$0

Privacy Panel *continued*

Wood-Grain Laminate

For 33" wide (33), 48" wide (48), 36" wide (36), 54" wide (54), or 60" wide (60) with laminate (L)

76	light brown walnut	+\$0
HM	natural maple	+\$0
HP	light anigre	+\$0
HX	aged cherry	+\$0
HY	walnut on cherry	+\$0
LBA	clear on ash	+\$0
LBR	phantom ecru	+\$0
LBS	phantom cocoa	+\$0
LBU	medium matte walnut	+\$0
LBV	warm grey teak	+\$0
LBB	oak on ash	+\$0
LBC	walnut on ash	+\$0
LBD	dark brown walnut	+\$0
LBE	medium red walnut	+\$0

Wood Veneer

For veneer (W)

2U	light brown walnut A	+\$85
40	dark brown walnut	+\$85
ED	aged cherry A	+\$85
EK	medium red walnut	+\$85
EW	medium matte walnut	+\$85
ET	clear on ash A	+\$85
EU	oak on ash A	+\$85
EV	walnut on ash A	+\$85
UL	natural maple A	+\$85
UX	walnut on cherry	+\$85

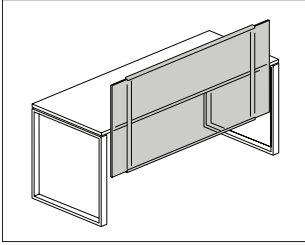
Step 6. Support Finish

Bright Sand Texture Paint

8Q	folkstone grey	+\$0
91	white	+\$0
98	studio white	+\$0
CL	cool grey neutral	+\$0
G1	graphite	+\$0
WL	sandstone	+\$0
WN	warm grey neutral	+\$0

Metallic Paint

CN	metallic champagne	+\$10
EH	metallic bronze	+\$10
MS	metallic silver	+\$10



Product Information

Description

This screen attaches to a desk or return. It has a 1"-thick frame with a 1/4"-thick translucent or painted surface. Attachment hardware included.

Notes

When attaching the 12"-high screen to a basic desk or return, specify screen width 6" less than surface width.

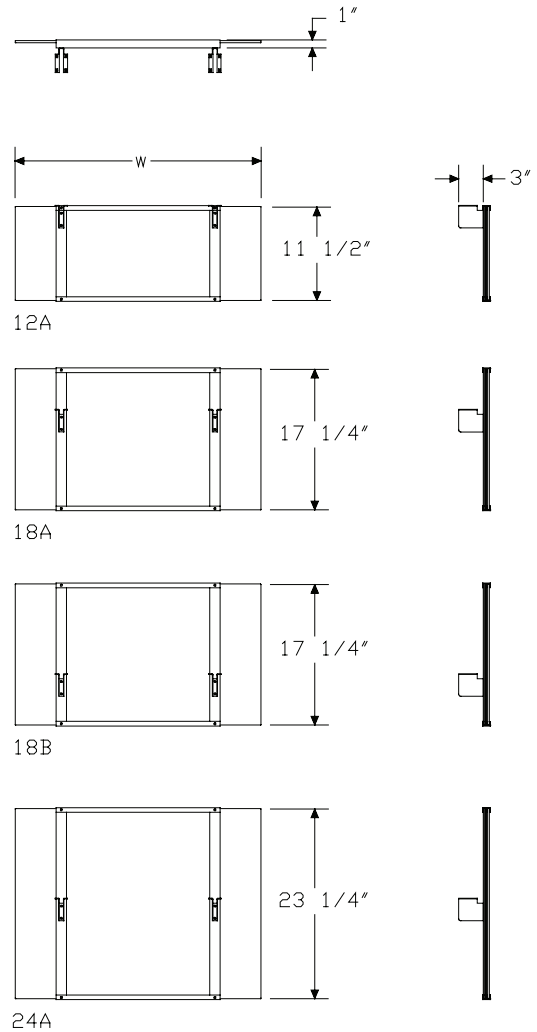
When attaching a screen of any height to a single pedestal desk or pedestal return, specify screen width 18" less than surface width. When attaching to a double pedestal desk, specify screen width 30" less than surface width.

When attached to surface, there is a 1 1/2" gap between the back edge and the screen.

For translucent plastic (A) surface material, screen frame finish is metallic silver (MS). For painted (P) surface material, screen frame finish will match bracket finish (Step 6.).

For cable management between screen and back edge of surface, specify cable manager (FV695.) separately.

Dimensions



Specification Information

Step 1.

FV694.

Step 2. Surface Material

- A** translucent plastic
- P** painted

Step 3. Height

For painted (P)

12A 12" below work surface

For translucent plastic (A)

12A 12" below work surface

18A 6" above/12" below work surface

18B 12" above/6" below work surface

24A 12" above/12" below work surface

Step 4. Width

For 12" below work surface (12A)

30 30" wide

36 36" wide

42 42" wide

48 48" wide

54 54" wide

60 60" wide

66 66" wide

72 72" wide

For 6" above/12" below work surface (18A), 12" above/6" below work surface (18B), or 12" above/12" below work surface (24A)

30 30" wide

36 36" wide

42 42" wide

48 48" wide

54 54" wide

Prices for Steps 1-4.

		30	36	42	48	54	60
FV694. A	12A	\$692	721	748	775	803	831
	18A	\$728	758	786	816	843	—
	18B	\$728	758	786	816	843	—
	24A	\$831	865	898	931	964	—
	P 12A	\$630	654	679	705	730	755

66 72

FV694. A	12A	\$859	885
	P 12A	\$781	804

Step 5. Surface Finish

Sand Texture Paint

For painted (P)

8Q folkstone grey +\$0

98 studio white +\$0

WL sandstone +\$0

Bright Sand Texture Paint

For painted (P)

91 white +\$0

CL cool grey neutral +\$0

G1 graphite +\$0

WN warm grey neutral +\$0

Metallic Paint

For painted (P)

CN metallic champagne +\$10

EH metallic bronze +\$10

MS metallic silver +\$10

Translucent Plastic

For translucent plastic (A)

J9 opal frosted +\$0

Step 6. Bracket Finish

Bright Sand Texture Paint

91 white +\$0

CL cool grey neutral +\$0

G1 graphite +\$0

WN warm grey neutral +\$0

8Q folkstone grey +\$0

98 studio white +\$0

WL sandstone +\$0

Metallic Paint

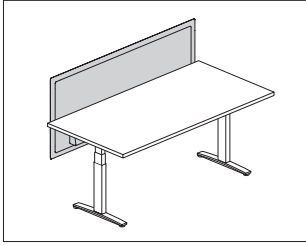
CN metallic champagne +\$10

EH metallic bronze +\$10

MS metallic silver +\$10

Pari Screen, Height Adjustable Tables

Y1116.



Product Information

Description

This screen attaches to an individual height adjustable work surface. It has an all-fabric, tackable surface with frameless design, and comes in privacy and modesty sizes. Attachment hardware included.

Notes

Privacy and modesty panel actual width is 2" less than specified width.
Privacy screen (A) top edge aligns with the 42" high Canvas datum line; bottom edge is 4" below work surface.

Privacy & modesty screen (B) top edge aligns with the 42" high Canvas datum line; bottom edge is 9" below work surface.

Privacy screen (C) top edge aligns with the 46" high Canvas datum line; bottom edge is 4" below work surface.

Privacy & modesty screen (D) top edge aligns with the 46" high Canvas datum line; bottom edge is 9" below work surface.

Privacy screen (E) top edge aligns with the 53" high Canvas datum line; bottom edge is 4" below work surface.

Privacy & modesty screen (F) top edge aligns with the 53" high Canvas datum line; bottom edge is 9" below work surface.

Screens 54" wide and wider include an additional 1"-wide center mounting bracket.

Recommended mounting creates a 1" gap between back edge of surface and the screen to accommodate cable routing and the attachment or clamp-mounting of other hardware to the surface.

Optional cable management trough is only available when specifying privacy & modesty height option (B). Trough finish is graphite.

Attachment brackets are inset from edge of screen by approximately 8" and require 2 1/2" of work surface for attachment.

Attachment bracket finish is painted graphite.

Screen accepts Customer's Own Material (COM). Yardage is estimated for nondirectional 54"-wide fabrics.

For vertical fabric direction (T):

Height—Yardage

A—1.51

B—1.89

C—1.76

D—2.14

E—2.21

F—2.58

For horizontal fabric direction (R):

Width—Yardage

For heights A/B:

24—0.88

30—1.07

36—1.26

42—1.45

48—1.64

54—1.83

60—2.02

66—2.21

72—2.39

For heights C/D/E/F:

24—1.76

30—2.14

36—2.52

42—2.90

48—3.28

54—3.65

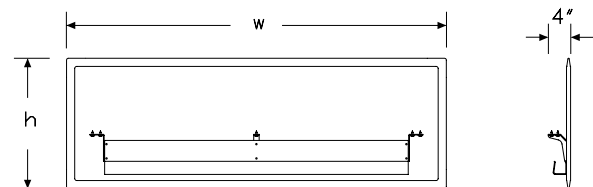
60—4.03

66—4.41

72—4.79

For information on multiple quantities or directional fabrics, contact COM Department. See Order Information in Appendices.

Dimensions



Pari Screen, Height Adjustable Tables *continued*

Canvas Office Landscape® Screens

Specification Information

Step 1.

Y1116. A

Step 2. Height

- A** privacy (42" high) A
- B** privacy & modesty (42" high/ 9" below surface) A
- C** privacy (46" high) A
- D** privacy & modesty (46" high/ 9" below surface) A
- E** privacy (53" high) A
- F** privacy & modesty (53" high/ 9" below surface) A

Step 3. Width

- 24** 24" wide A
- 30** 30" wide A
- 36** 36" wide A
- 42** 42" wide A
- 48** 48" wide A
- 54** 54" wide A
- 60** 60" wide A
- 66** 66" wide A
- 72** 72" wide A

Step 4. Surface Material

For 24" wide (24), 30" wide (30), 36" wide (36), 42" wide (42), or 48" wide (48)

- R** tackable fabric, horizontal A
- T** tackable fabric A

For 54" wide (54), 60" wide (60), 66" wide (66), or 72" wide (72)

- R** tackable fabric, horizontal A

Prices for Steps 1-4.

		R	T
Y1116. A	24	\$347	347
	30	\$403	403
	36	\$453	453
	42	\$498	498
	48	\$541	541
	54	\$578	—
	60	\$665	—
	66	\$697	—
	72	\$727	—

B	24	\$437	437
	30	\$499	499
	36	\$551	551
	42	\$596	596
	48	\$634	634
	54	\$667	—
	60	\$741	—
	66	\$765	—
	72	\$785	—
C	24	\$360	360
	30	\$415	415
	36	\$475	475
	42	\$530	530
	48	\$585	585
	54	\$645	—
	60	\$720	—
	66	\$755	—
	72	\$785	—
D	24	\$455	455
	30	\$510	510
	36	\$570	570
	42	\$625	625
	48	\$680	680
	54	\$740	—
	60	\$815	—
	66	\$850	—
	72	\$880	—
E	24	\$505	505
	30	\$555	555
	36	\$600	600
	42	\$650	650
	48	\$735	735
	54	\$775	—
	60	\$795	—
	66	\$805	—
	72	\$820	—
F	24	\$600	600
	30	\$650	650
	36	\$695	695
	42	\$745	745
	48	\$830	830
	54	\$870	—
	60	\$890	—
	66	\$900	—
	72	\$915	—

Pari Screen, Height Adjustable Tables *continued*

Step 5. Cable Trough

For privacy & modesty (42" high/9" below surface) (B), privacy & modesty (46" high/9" below surface) (D), or privacy & modesty (53" high/9" below surface) (F)

NC	no cable way <input type="checkbox"/>	+\$0
CW	cable way <input type="checkbox"/>	+\$25

Step 6. Fabric

Price Category 1	+\$0
Price Category 2	+\$19
Price Category 3	+\$41
Price Category 4	+\$80
Price Category E	+\$152

Index by Product Name

Canvas Office Landscape® Dock	
Bracket Hardware, Work Surface/Low Storage	page(s) 88
Cable Clips	34
Cable Management Channel	65
Cable Management Trough	52
Cable Manager	54
Cable Manager - Dock to Surface	35
Ceiling Power Entry	33
Closed Support Leg	56
Column Kit	50
Connection Hardware, Screens	86
Controlled Power Module - Bottom of Dock	22
Controlled Receptacle Decal (12 per sheet)	31
Cord Cleat	51
Data Housing	18
Dock Foot	12
Dock Foot, Structural (Support Foot)	11
Dock Power Harness	19
Dock Structure	5
Dock-to-Dock Connector	13
Dock to Screen Bracket, Screens	89
Dock to Surface Tethers	48
Finished End, Architectural, Dock	17
Gallery Panel, Dock Attached	6
Half Bridge	39
Individual Bridge	36
Logic G1000 Grommet Mounted Electrical Distributor	28
Lower Cladding	16
Low Storage to Dock Bracket	14
Low Storage to Dock Spacer	15
Markerboard, Storage Cabinet, Frame Top Mounted	81
Open Support Leg, Architectural Foot	62
Open Support Leg, Architectural Foot, Peninsula/D-Shaped Surface Attached	60
Pari Screen, Height Adjustable Tables	97
Power, Block to Block Jumper	20
Power Entry, Internal Direct Connect - Floor	30
Power Entry, New York - Floor Power Entry	32
Power Module - Bottom of Dock - 20 amp	26
Power Module-Top of Dock	21
Privacy Panel	92
Rectangular Surface	69
Screen	95
Screens, Dock Mounted	82
Screens, Freestanding/Surface Attached	84
Secondary Surface	45
Signature Screen, Surface-Attached	90

Square Open Support Leg	58
Stanchion Infill	79
Stiffener	55
Storage Cabinet, Dock Mounted, Open	75
Support Leg, Post	53
Surface Support, Low Credenza, Adjustable Height	66
Surface Support, Low Credenza, Fixed Height	64
Tackboard, Storage Cabinet, Frame Top Mounted	80
Team Bridge	42
Under Surface Controlled Power Module	24
Under Surface Power Module - 20 amp	27
Universal Post Leg	67
Universal Post Leg, Shared	49
Upper Storage Stanchion - Center Mount	77
Upper Storage Stanchion - Offset Mount	78

Index: Product Name

Index by Product Number

FD2B2. Universal Post Leg, Shared	page(s) 49	Surface Attached	60
FD16A. Finished End, Architectural, Dock	17	FT2B2. Universal Post Leg	67
FD110. Dock Structure	5	FT19C. Cable Management Channel	65
FD113. Gallery Panel, Dock Attached	6	FT199. Cable Management Trough	52
FD115. Screens, Dock Mounted	82	FT298. Surface Support, Low Credenza, Fixed Height	64
FD117. Dock Foot	12	FT299. Surface Support, Low Credenza, Adjustable Height	66
FD119. Dock Foot, Structural (Support Foot)	11	FT350. Signature Screen, Surface-Attached	90
FD128. Dock-to-Dock Connector	13	FT491. Tackboard, Storage Cabinet, Frame Top Mounted	80
FD141. Power Entry, New York - Floor Power Entry	32	FT492. Markerboard, Storage Cabinet, Frame Top Mounted	81
FD142. Ceiling Power Entry	33	FTE10. Rectangular Surface	69
FD144. Power Entry, Internal Direct Connect - Floor	30	FTS10.	
FD150M Controlled Power Module - Bottom of Dock	22	FTT10.	
FD151. Dock Power Harness	19	FV2A2. Open Support Leg, Architectural Foot	62
FD152M Under Surface Controlled Power Module	24	FV2D2. Square Open Support Leg	58
FD154. Power, Block to Block Jumper	20	FV2E2. Closed Support Leg	56
FD156. Power Module - Bottom of Dock - 20 amp	26	FV689. Support Leg, Post	53
FD157. Under Surface Power Module - 20 amp	27	FV693. Privacy Panel	92
FD158. Power Module-Top of Dock	21	FV694. Screen	95
FD159. Data Housing	18	FV695. Cable Manager	54
FD170. Lower Cladding	16	FV696. Stiffener	55
FD198. Cable Clips	34	G1331. Cord Cleat	51
FD199. Cable Manager - Dock to Surface	35	G9999. Controlled Receptacle Decal (12 per sheet)	31
FD290. Dock to Surface Tethers	48	Y1116. Pari Screen, Height Adjustable Tables	97
FD292. Low Storage to Dock Bracket	14	Y1425. Logic G1000 Grommet Mounted Electrical Distributor	28
FD293. Low Storage to Dock Spacer	15		
FD300. Screens, Freestanding/Surface Attached	84		
FD311. Connection Hardware, Screens	86		
FD312. Bracket Hardware, Work Surface/Low Storage	88		
FD313. Dock to Screen Bracket, Screens	89		
FD415. Storage Cabinet, Dock Mounted, Open	75		
FD417. Upper Storage Stanchion - Center Mount	77		
FD419. Upper Storage Stanchion - Offset Mount	78		
FD430. Stanchion Infill	79		
FD600. Column Kit	50		
FDE10. Secondary Surface	45		
FDE15. Half Bridge	39		
FDE16. Team Bridge	42		
FDE17. Individual Bridge	36		
FDS10. Secondary Surface	45		
FDS15. Half Bridge	39		
FDS16. Team Bridge	42		
FDS17. Individual Bridge	36		
FDT10. Secondary Surface	45		
FDT15. Half Bridge	39		
FDT16. Team Bridge	42		
FDT17. Individual Bridge	36		
FT2A2. Open Support Leg, Architectural Foot, Peninsula/D-Shaped			



20-Day or Less/Assigned Lead-Time Order Information

20-Day or Less and Assigned Lead-Time Programs

20-day or less and assigned lead-time products are designed for established Herman Miller dealers with pre-approved credit.

Products are distributed from multiple manufacturing facilities across the United States. All products and options not designated by an Assigned Lead-Time icon **A** will ship in 20 business days or less after being acknowledged by Herman Miller. Products and options designated by an **A** are on the assigned lead-time program and will ship in 20 days, less than 20 days, or more than 20 days from order acknowledgement.

Ordering Procedure

Please place orders through Order Manager. If this is not available to you, place orders through mail or fax. Verbal purchase orders will not be accepted.

Order Entry fax number for Passage®, 5000 Series, and Meridian® Filing and Storage: (616) 846 9236.

Order Entry fax number for all other products:
(616) 654 3085.

For more information, contact your Customer Care representative at:
(866) 854 3048 EXT 3400.

Shipments and Delivery

Per Herman Miller Terms and Conditions.

Changes and Cancellation

Per Herman Miller Terms and Conditions.



Proprietary Textiles Application Chart — Workspaces

• Available

A Assigned lead-time textile.

See following page for exception notes.

	Action Office® Panels/Connectors	Action Office/Ethospace® B-Style Storage	Action Office B-Style Tackboards	Action Office/Ethospace E-Style Storage	Ethospace Tiles/Connectors	Ethospace Work Surface-Attached Screens	Ethospace/Canvas Office Landscape® Privacy Doors	Exclave® Tackable Boards and Stowage Tackable Backdrop	Exclave Video-Friendly Tackable Boards and Stowage Tackable Backdrop	Canvas Tiles/Extended Width Tiles	Canvas B-/E-Style Storage	Canvas Standing Screen and Team Wall Infill	Canvas Tackboards	Layout Studio® Framed Screen	Locale® Display Tackboard	Locale Freestanding Screen and Workbase Screen	Locale L-Desk/D-Desk Screens	Parit™ Screens/Flat Edge Screens	Public Office Landscape® Screen/Desk Top Divider	Renew™ Link Screens	Resolve® Boundary Screens/Flags	Resolve Display Screens	Resolve Rolling Screens/Canopies	Thrive® Personal Side Screen	5000 Series Storage and Tackboards	Tu® Wood Storage Cubby Tackboard	Seating
Price Category 1																											
COM	Customize Own Material A																										
8A__																											
2V__	•	•	•	•	•	•				22	•	•	•	•	•	•						•					
8T__	2	2	2	•	•	•	•	•	8	•	2	•	•	•	•	•	•	•	•	•				•	3	•	18
95__	2	2	2	•	•	•	•			•	2	•	•	•	•	•	•	•	•	•				•	3	•	•
2I__	•	•	•	•	•	•	•			•	•	•	•	•	•	•	•	•	•	•				•	3	•	•
1MN__	2	2	2	•	•	•	•			•	2	•	•	•	•	•	•	•	•	•				•	•	•	•
8B__						•															•		•				
5T__	•	•	•	•	•	•	•			•	•	•	•	•	•	•	•	•	•	•				•	•	•	•
8C__																						•					
2M__	•	•	•	•	•	•	•			•	•	•	•	•	•	•	•	•	•	•				•	3	•	•
22F__	6		•	•	•	•	•			•	•	•	•	•	•	•	•	•	•	•				3	•	•	•
Price Category 2																											
3P__		2		•																							•
51__	•	•	•	•	•	•	•			•	•	•	•	•	•	•	•	•	•	•					3	•	•
92__	2	•	•	•	•	•	•	•	8	•	•	•	•	•	•	•	•	•	•	•				•	3	•	•
57__	•	•	•	•	•	•	•			•	•	•	•	•	•	•	•	•	•	•				•	3	•	•
84__	4			•	•	•	•			•	•	•	•	•	•	•	•	•	•	•				19	3	•	•
4N__	2	2	2	•	•	•	•			•	•	•	•	•	•	•	•	•	•	•				3	•	•	•
1LM__	2	2	2	•	•	•	•			•	•	•	•	•	•	•	•	•	•	•				•	•	•	•
1HA__	2	2	2	•	•	•	•	•	•	•	•	•	•	•	•	•	•	•	•	•				•	•	•	•
3A__	2	2	•	•	•	•	•			22	2	•	•	•	•	•	•	•	•	•				•	3	•	•
8R__	5	2	2	•	•	•	•			•	2	•	•	•	•	•	•	•	•	•				•	3	•	18
Price Category 3																											
70__	2	2	2	•		•				•	2	•	•	•	•	•	•	•	•	•				•	3	•	•
1FB__	•	•	•	•	•	•	•			•	•	•	•	•	•	•	•	•	•	•				•	3	•	•
1FC__	•	•	•	•	•	•	•			•	•	•	•	•	•	•	•	•	•	•				•	3	•	•
8Z__	•	•	•	•	•	•	•			•	•	•	•	•	•	•	•	•	•	•				•	3	•	•
47__	•	•	•	•	•	•	•	•	8	•	•	•	•	•	•	•	•	•	•	•	14			•	3	•	•
5D__	2	2	2	•	•	•	•			•	2	•	•	•	•	•	•	•	•	•	14			•	3	•	•
8L__	•	20	•	•	•	•	•			•	•	•	•	•	•	•	•	•	•	•	14			•	•	•	•
8U__		2	2	•						•	•	•	•	•	•	•	•	•	•	•				3	•	18	•
8W__	•	•	•	•	•	•	•			•	•	•	•	•	•	•	•	•	•	•				•	3	•	•

continued on next page

Proprietary Textiles Application Chart — Workspaces

continued

	Action Office® Panels/Connectors	Action Office/Ethospace® B-Style Storage	Action Office B-Style Tackboards	Action Office/Ethospace E-Style Storage	Ethospace Tiles/Connectors	Ethospace Work Surface-Attached Screens	Ethospace/Canvas Office Landscape® Privacy Doors	Exclave® Tackable Boards and Stowage Tackable Backdrop	Exclave Video-Friendly Tackable Boards and Stowage Tackable Backdrop	Canvas Tiles/Extended Width Tiles	Canvas B-/E-Style Storage	Canvas Standing Screen and Team Wall Infill	Canvas Tackboards	Layout Studio® Framed Screen	Locale® Display Tackboard	Locale Freestanding Screen and Workbase Screen	Locale L-Desk/D-Desk Screens	Pari™ Screens/Flat Edge Screens	Public Office Landscape® Screen/Desk Top Divider	Renew™ Link Screens	Resolve® Boundary Screens/Flags	Resolve Display Screens	Resolve Rolling Screens/Canopies	Thrive® Personal Side Screen	5000 Series Storage and Tackboards	Tu® Wood Storage Cubby Tackboard	Seating
Price Category 4																											
2X__ Glisten	•	•	•	•	•		•			•	•	•	•	•	•					•					•	•	
6S__ Quilty	2	2	2	•	•		•			•	2	•	•	•	•										3	•	•
63__ Sironetta	•	•	•	•	•		•			•	•	•	•	•	•	•		•	•					•	3	•	•
Price Category 5																											
No fabrics available at this time.																											
Price Category 6																											
No fabrics available at this time.																											

- 1 Refer to price book appendices and Kiosk for COM information. COM not available on panels.
- 2 Available on all products except 54" and 60" wide.
- 3 Fabric is railroaded for all widths.
- 4 Not available on Action Office (AO) acoustical panels.
- 5 (8R__), (8T__), (85__), and (5S__) not available on AO acoustical panels and not available on 54"- or 60"-wide products.
- 6 Not available on Action Office (AO) connectors, cable management, and spacers.
- 8 Available in select colors. See the "Proprietary Textile Colors — Seating" appendix.
- 14 Not available on Resolve flags.
- 15 Fabric is railroaded for all widths, except on Passage full-height screens.
- 16 Not available on Passage full-height screens. Fabric is railroaded for all widths.
- 18 Available on seating products in select colors. See the "Proprietary Textile Colors — Seating" appendix.
- 19 Not available in Grosgrain (84__) fabric colors 8401, 8405, and 8413.
- 20 Available only on Ethospace B-Style.
- 22 Not available as railroaded application option for Chain and Moire on Canvas extended width tiles.
- 24 Not available on Ethospace cable access tile, cable channel tile, or beltline face tile.

Application Note: Herman Miller cannot guarantee material/pattern alignment in adjacent products. For example, a fabric's pattern may not align from one screen to the next, or from one panel to the next.

Proprietary Textile Colors – Workspaces

Price Category 1

Customer's Own Material
See Order Information in
Appendices.
Assigned lead-time textile. A

Bubbletack™
100% polyester

8A01	Seashell White
8A02	Pearl Grey
8A05	Dune Beige
8A07	Pebble Beige
8A09	Olive Green
8A13	Slate Purple
8A19	Spa Blue
8A24	Sable Grey
8A27	Summer White
8A28	Moth Grey
8A29	Tea Leaf Grey
8A30	Blue Grey
8A31	Dusty Bronze
8A32	Slate Blue
8A33	Caramel Beige
8A34	Kiwi Green
8A35	Studio White
8A36	Blush Grey
8A37	Shale
8A38	Slate
8A39	Eggnog
8A40	Persimmon
8A41	Bud

Chain
66" wide
100% recycled polyester

2V01	Pearl
2V02	Oyster
2V03	Wheat
2V04	Linen
2V05	Wicker
2V06	Bamboo
2V07	Sage
2V08	Spring Wood
2V09	Iceberg

Crossing
54" wide
86% antimony-free polyester
14% polyester

8T03	Wicker *
8T04	Porcelain *
8T05	Warm Grey *
8T06	Sepia
8T07	Pumpkin
8T08	Copper
8T09	Cranberry
8T10	Tomato
8T11	Mulberry
8T12	Plum
8T13	Green Apple
8T14	Loden
8T15	Spruce
8T16	Periwinkle
8T17	Cerulean
8T18	Indigo
8T19	Shale *
8T20	Brownstone
8T21	Bark
8T22	Tin *
8T23	Graphite
8T24	Black

Crossing
For systems products only.
54" wide
86% antimony-free polyester
14% polyester

8501	Ivory *
8502	Oyster *

* Crossing colors available on
Exclave® Video-friendly Tackable
Boards and Stowage Tackable
Backdrop

Gem
54" wide
100% antimony-free polyester

9501	Sesame
9502	Tangerine
9503	Red
9504	Red Violet
9505	Mulberry
9506	Java
9507	Twilight
9508	Bayou
9509	Iris
9510	Berry Blue
9511	Aqua Green
9512	Green Apple
9513	Spruce
9514	Black
9515	Slate Grey
9516	Fog

Grasscloth
66" wide
100% recycled polyester

2101	Silver Birch
2102	Pampas
2103	Sedge
2107	Lea
2108	Taro
2109	Steam Grey
2110	Cayenne
2111	Bottle Green
2112	Surf
2113	Gravel

Monologue
54" wide
56% recycled polyester
44% polyester

1MN01	Linen
1MN02	Alabaster
1MN03	Truffle
1MN04	Folkstone
1MN05	Silver Pine
1MN06	Slate
1MN07	Seed
1MN08	Yellow Oxide
1MN09	Persimmon
1MN10	Tundra
1MN11	Meadow
1MN12	Blue Sky
1MN13	Blue Spruce
1MN14	Deep Sea

Multiscrim™
60" wide
100% polyester

8B01	Seashell White
8B02	Pearl Grey
8B05	Dune Beige
8B07	Pebble Beige
8B09	Olive Green
8B15	Slate Purple
8B19	Spa Blue
8B24	Sable Grey
8B27	Summer White
8B28	Moth Grey
8B29	Tea Leaf Grey
8B30	Blue Grey
8B31	Dusty Bronze
8B32	Slate Blue
8B33	Caramel Beige
8B34	Kiwi Green
8B35	Studio White
8B36	Blush Grey
8B37	Shale
8B38	Slate
8B39	Eggnog
8B40	Persimmon
8B41	Bud

Price category 1 continued on
next page

Proprietary Textile Colors — Workspaces

continued

Price Category 1

continued

Resonance

66" wide	
100% polyester	
5T04	Greige
5T05	Porcelain
5T06	Alabaster
5T15	Iris
5T28	Sugar
5T47	Tobacco
5T54	Saltbush
5T57	Seed
5T58	Sepia
5T59	Tundra
5T60	Iceberg
5T61	Black
5T62	Chamois
5T63	Citrus
5T64	Tangerine
5T65	Red
5T66	Wild Berry
5T67	Boysenberry
5T68	Pistachio
5T69	Green Apple
5T70	Forest
5T71	Jade
5T72	Blue Green
5T73	Bright Turquoise
5T74	Twilight

Scrim Trim

61" wide	
82% polyester	
18% spandex	
8C01	Seashell White
8C02	Pearl Grey
8C22	Winter Grey
8C24	Sable Grey

Silkworm

66" wide	
58% recycled polyester	
42% polyester	
2M01	Cocoon
2M02	Pongee
2M03	Saffron
2M04	Tussah
2M05	Ceylon
2M06	Jasmine
2M07	Shale
2M08	Monsoon

Slant

66" wide	
51% polyester	
49% recycled polyester	
22F01	Beech Nut
22F02	Chamois
22F03	Chartreuse
22F04	Pesto
22F05	Peacock
22F06	Neptune
22F07	Blueberry
22F08	Boysenberry
22F09	Magenta
22F10	Pumpkin
22F11	Cranberry
22F12	Silver Birch
22F13	Bluestone
22F14	Truffle
22F15	Shale

Price Category 2

ColorGuard

54" wide	
100% vinyl	
3P01	Grey
3P02	Navy
3P03	Spruce
3P08	Blueberry
3P12	Black Plum
3P14	Black
3P19	Slate
3P31	Horizon Blue
3P33	Pumice
3P54	Candy Apple
3P72	Allspice
3P96	Manzanita
3P97	Fudge
3PB2	Sea Grass
3PB5	Vizcaya Palm
3PB9	Neptune
3PC7	Bucksuede
3PD4	Otter

^A Assigned lead-time color.

Cord

66" wide	
51% antimony-free polyester	
49% polyester	
5101	Ivory
5102	White Ash
5103	Linen
5104	Bamboo
5105	Sepia
5106	Wicker
5107	Sesame
5108	Kiwi Green
5109	Bayou
5110	Shade
5111	Spring Wood
5112	Summer White

Crepe

54" wide	
100% recycled polyester	
9201	Licorice
9203	Smoke
9207	Cherry
9209	Claret
9212	Raisin
9218	Aquamarine
9223	Cadet
9241	Beachglass
9243	Midnight
9244	Artichoke
9248	Warm White *
9249	Stone *
9250	Earth
9251	Fog *
9252	Slate Grey
9253	Yellow Dark
9254	Coral
9255	Blush Grey *
9256	Wild Berry
9257	Clover
9258	Caribbean
9259	Cerulean
9260	Brownstone
9261	Shale
9262	Graphite
9263	Tomato
9264	Green Apple

* Crepe colors available on Exclave® Video-friendly Tackable Boards and Stowage Tackable Backdrop

Price category 2 continued on next page

Proprietary Textile Colors — Workspaces

continued

Price Category 2

continued

Frost	
66" wide	
100% recycled polyester	
5701	Bisque
5702	Abalone
5703	Porcelain
5704	Honey
5705	Iceberg
5706	Sage
5707	Reed
5708	Steam Grey
5709	Gunmetal
5710	Sable Grey

Grosgrain	
66" wide	
100% recycled polyester	
8401	Pearl * **
8402	White Ash
8403	Warm Grey
8404	Khaki
8405	Oyster *
8406	Celadon
8407	Chamois
8408	Spa Blue
8409	Bud
8410	Kiwi Green
8411	Bayou
8412	Tin
8413	Iceberg *

* Grosgrain colors not available on Canvas Dock Mounted Screens, Locale® Workbase Screen, Public Office Landscape® Screen/Desk Top Divider, and Thrive® Personal Side Screen.

** Color not available on Canvas tiles.

Horizon	
54" wide	
65% antimony-free polyester	
35% polyester	
4N01	Rye Grass
4N02	Sugar Pine
4N03	Silver Pine
4N04	White Ash
4N05	Spring Wood
4N06	Tamarack
4N07	Mushroom
4N08	Haystack
4N09	Oat Grass
4N10	Forest Moss
4N11	Hickory
4N12	Beech Nut
4N13	Pine Cone
4N14	Poplar
4N15	Elderberry

Loom	
54" wide	
100% polyester	
1LM01	Linen
1LM02	Brown Sugar and Spice
1LM03	Brick and Mortar
1LM04	Salt and Pepper
1LM05	Black
1LM06	Lemongrass
1LM07	Poppy
1LM08	Wild Berry
1LM09	Loden
1LM10	Jade
1LM11	Deep Sea

Medley	
54" wide	
100% polyester	
1HA01	Stone *
1HA02	Trail
1HA03	Charcoal
1HA04	Cinder
1HA05	Citrus
1HA06	Papaya
1HA07	Chutney
1HA08	Tundra
1HA09	Feather Grey *
1HA10	Chartreuse
1HA11	Loden
1HA12	Peacock
1HA13	Bayou *
1HA14	Blue Grotto
1HA15	Blueberry
1HA22	Khaki
1HA23	Pewter
1HA24	Yellow Oxide
1HA25	Vintage Rose
1HA26	Raspberry
1HA27	Acai Berry

* Colors available on Exclave®
Stowage Video-friendly
Tackable Backdrop

Moiré	
54" wide	
100% recycled polyester	
3A01	Concrete
3A02	Biscotti
3A03	Rattan
3A04	Chambray
3A05	Fern
3A08	Violet
3A09	Zin
3A10	Curry
3A11	Spice
3A12	Cork

Twist	
54" wide	
80% antimony-free polyester	
13% recycled polyester	
7% polyester	
8R05	Wicker
8R10	Poppy
8R14	Tin
8R15	Shale
8R16	Graphite
8R17	Birch
8R18	Sepia
8R22	Blueberry
8R23	Green Apple
8R26	Gunmetal
8R27	Cinder
8R28	Citrus
8R29	Pekoe
8R30	Tangerine
8R31	Red Plum
8R32	Wisteria
8R33	Forest
8R34	Jade Dark
8R35	Waterfall
8R36	Midnight Blue
8R37	Carbon Dark

Twist	
For systems products only.	
54" wide	
80% antimony-free polyester	
13% recycled polyester	
7% polyester	
5S01	Pearl
5S02	Ivory
5S03	Oyster

Proprietary Textile Colors — Workspaces

continued

Price Category 3

Appendix: Proprietary Textile Colors — Workspaces

Bento	
54" wide	
100% antimony-free polyester	
7001	Frost
7002	Linen
7003	Khaki
7004	Truffle
7005	Grey Black
7006	Pumpkin
7007	Cranberry
7008	Everglade
7009	Cobalt

Connection	
66" wide	
100% antimony-free polyester	
1FB1	Oyster
1FB2	Linen
1FB3	Iceberg
1FB4	Silver Pine
1FB5	Apricot
1FB6	Cumin
1FB7	Green Apple
1FB8	Slate Blue
1FB9	Metal

Current	
66" wide	
100% antimony-free polyester	
1FC1	Oyster
1FC2	Linen
1FC3	Iceberg
1FC4	Silver Pine
1FC5	Apricot
1FC6	Cumin
1FC7	Green Apple
1FC8	Slate Blue
1FC9	Metal

Glaze	
66" wide	
100% recycled polyester	
8Z01	Wicker
8Z02	Honey
8Z03	Porcelain
8Z04	Celadon
8Z05	Spearmint
8Z06	Rye
8Z07	Frost
8Z08	Silver Birch

Ground Cloth®	
66" wide	
100% polyester	
4701	Vapor Grey
4721	Warm White *
4722	Fog *
4723	Straw *
4724	Red Orange *
4725	Wild Berry *
4726	Green Apple *
4727	Caribbean *
4728	Midnight *
4729	Cappuccino *

* Colors available on Exclave®
Video-friendly Tackable
Boards and Stowage Tackable
Backdrop

Kira 2	
54" wide	
100% recycled polyester	
5D11	Flaxen
5D12	Papyrus
5D13	Oasis
5D14	Incense
5D15	Ash
5D16	Falcon

Savannah	
66" wide	
76% recycled polyester	
24% polypropylene	
8L01	Pearl
8L02	Oyster
8L03	Wheat
8L04	Jute
8L05	Bamboo
8L06	Metal
8L07	Linen
8L08	Celadon
8L09	Moss
8L10	Frost
8L11	Shale
8L12	Pewter

Stitches	
54" wide	
54% polyester	
46% recycled polyester	
8U02	Rye
8U03	Khaki
8U04	Honey
8U05	Cattail
8U08	Cool Grey
8U09	Slate Blue
8U11	Evening Blue
8U12	Charcoal
8U13	Kiwi Green
8U16	Cocoa
8U17	Seed

Stitches	
For systems products only.	
54" wide	
54% polyester	
46% recycled polyester	
5Z01	White Ash

Strands	
66" wide	
100% recycled polyester	
8W01	Pebble
8W02	Porcelain
8W03	Taupe
8W04	Honey
8W05	Khaki
8W06	Rye
8W07	Wicker
8W08	Tin
8W09	Cool Grey

Proprietary Textile Colors — Workspaces

continued

Price Category 4

Glisten

66" wide
84% polyester
16% recycled polyester

2X02	Rye
2X05	Iceberg
2X07	Celadon
2X09	Pewter
2X10	Ash

Quilty

56" wide
100% antimony-free polyester
GreenShield

6S03	Khaki
6S04	Straw
6S07	Brick
6S10	Mink
6S11	Green Apple
6S13	Indigo
6S14	Zinc
6S15	Slate
6S16	Beachwood
6S17	Paprika
6S18	Plum
6S19	Juniper
6S20	Grey Black

Sironetta

66" wide
100% recycled polyester

6301	Acapella
6302	Sonata
6303	Interlude
6304	Legato
6308	Harmony
6309	Ensemble

Price Category 5-6

No fabrics available at this time.

For more information about our products and services or to see a list of dealers, please visit us at HermanMiller.com or call (800) 851 1196.

© 2018 Herman Miller, Inc., Zeeland, Michigan

® **HermanMiller**, ●, Action Office, Aeron, Aside, Avive, Canvas Office Landscape, Caper, Celle, Co/Struc, Eames, Embody, Equa 2, Ergon 3, Ethospace, Exclave, Fine-Tune, FlexFront, Formcoat, Ground Cloth, Herman Miller Healthcare, Layout Studio, Maharam, Meridian, Mirra, Passage, Pellicle, Perspectives, PostureFit, Resolve, Sayl, Setu, Thrive, Tu, Y-Tower, and Z-Axis are among the registered trademarks of Herman Miller, Inc., and its owned subsidiaries.

™ AireWeave, Bubbletack, Cellular Suspension, Compass, Connect, DOT, Durawrap, Everywhere, Flex-Edge, Hopsak 2, Intent, Iota, Keyless Entry, Latitude, Lyris 2, Mora, Motia, Multiscrim, Nelson, Renew, Stackable, Swoop, TriFlex, Twist, and Verus are among the trademarks of Herman Miller, Inc., and its owned subsidiaries.

®Chemsurf® is a registered trademark of Wilsonart International.

Corian® is a registered trademark of E.I. du Pont de Nemours and Company Corporation.

FLEXNET™ is a trademark of Milliken & Company.

Floor Saver Glide® is a registered trademark of Carpin Manufacturing, Inc.

Geiger® is a registered trademark of Geiger International.

Microsoft® and Natural® Keyboard are registered trademarks of Microsoft Corporation.

Place Textiles® is a registered trademark of Place Textiles.